



**Reader display language configuration:**

Program:		DIP1	DIP2	DIP3	DIP4
0 - OSDP to Wiegand - Text: EN		Off	Off	Off	Off
1 - OSDP to Wiegand - Text: DK		On	Off	Off	Off
2 - OSDP to Wiegand - Text: SE		Off	On	Off	Off
3 - OSDP to Wiegand - Text: NO		On	On	Off	Off
4 - OSDP to Wiegand - Text: FI		Off	Off	On	Off
5 - OSDP to Wiegand - Text: FR		On	Off	On	Off
6 - OSDP to Wiegand - Text: DE		Off	On	On	Off
7 - OSDP to Wiegand - Text: ES		On	On	On	Off
8 - OSDP to Wiegand - Text: NL		Off	Off	Off	On
9 - OSDP to Wiegand - Text: IT		On	Off	Off	On
15- OSDP to Wiegand - LEDs only		On	On	On	On



**General reader settings:**

Reverse byte configuration for ACT Mifare encoded cards: DIP5 = On  
 Disable display power save: DIP6 = On

**SPC Configuration & Prerequisites:**

For correct function between the NGCR reader's and the OSDP converter, the reader profile must be set to "AR618X",  
 Configuration->Hardware->XBus->Door Controllers->[door]->reader profile.

**LED Override must be activated:**

Configuration->System->System Settings->Door & Reader -> Override Reader Profile [X].

Tamper monitoring function requires the use of Dual EOL input configuration with 4k7/4k7 resistors.

Configuration->Hardware->XBus->Door Controllers->[door]->Zone EOL

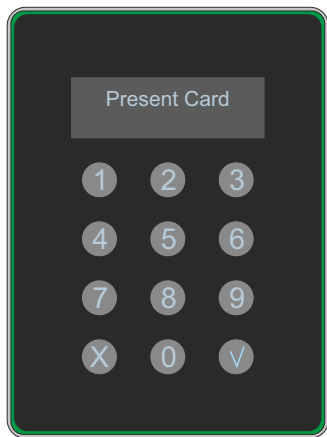
These steps can be configured through the embedded SPC web server or via the SPC Connect Pro configuration tool.

For more information visit: <http://van.fyi?Link=OSDPSPC>

**Card Reader**

**Vanderbilt VR40s**

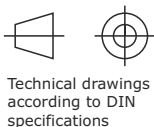
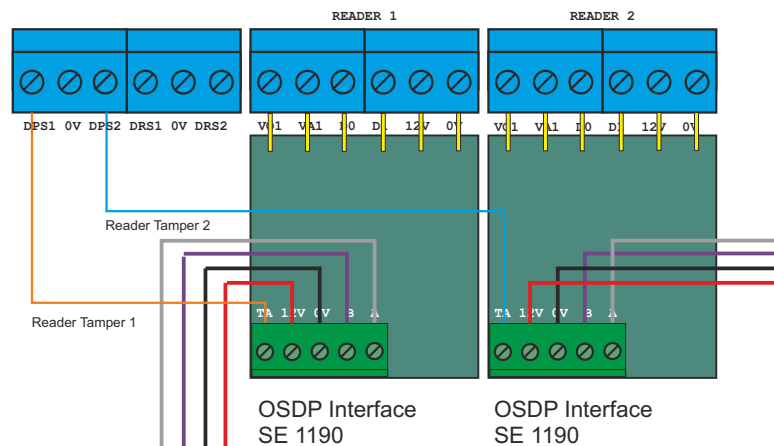
Check [www.vanderbiltindustries.com](http://www.vanderbiltindustries.com) for the full range of our compatible OSDP readers



Data A (Gray)  
 Data B (Violet)  
 GND (Black)  
 12V (Red)

**Door Controller**

**SPCA210**



**SECURITY ENGINEERING**

Tel.: +45 87 30 04 45  
[www.securityengineering.dk](http://www.securityengineering.dk)

Design : SE 1190 / SW 1.47

Subject : OSDP to Wiegand Interface

Scale :

Dato : 2020-10-22

Rev.: K