

SOLISTA LX Ceiling

LED Beacon

VANDERBILT



The Solista LX Ceiling has a unique lens design that distributes the light in a cylindrical shape, to achieve the required illumination specified by EN 54-23. Designed for installation at a height of up to 3m and with a discrete appearance, the device is ideal for a variety of applications.

- Ultra-low current consumption
- Up to 7.5m coverage volume
- 0.5Hz or 1Hz Flash rate
- Coverage switch to 3m

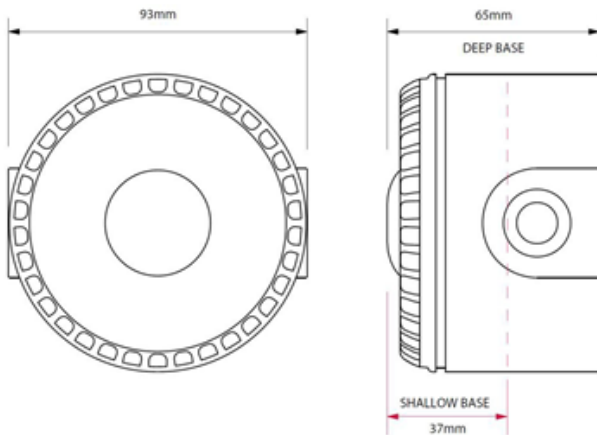
SOLISTA LX Ceiling

LED Beacon

VANDERBILT

Benefits

- Use where current consumption is a key consideration
- Ideal for bedrooms and toilets
- Switch flash rate to 0.5Hz to reduce current consumption
- Reduces power consumption by up to 50%



■ Technical Specifications	
Mounting Type	Ceiling
Voltage	9 – 60 VDC
Current	10 – 25mA dependent on setting
Coverage (y)	7.5m (Switchable to 3m)
Mounting Height (x)	3m (max)
Coverage Volume Code	C-3-7-5
Coverage Volume	132m ³ (21m ³)
Flash Rate	1Hz (Switchable to 0.5Hz)
Operating Temperature	-25°C...+70°C
Monitoring	Reserve Polarity
Protection	IP33C Shallow Base and IP65 Deep Base
Weight	100g

■ Ordering Information			
Type	Art-No.	Description	Weight
SOLISTA-LX-C-R	N54539-Z284-A100	Beacon, ceiling, red	100g
SOLISTA-LX-C-W	N54539-Z284-A200	Beacon, ceiling, white	100g

■ Accessories			
Type	Art-No.	Description	Weight
SOCKELVIT	N54539-Z153-A100	Deep base white, IP65	60g
SOCKEL RÖD	NSE2:SOCKEL-ROD	Deep base red, IP65	60g

Issued by
Vanderbilt
Clonshaugh Business and
Technology Park
Clonshaugh
Dublin 17
Ireland
www.vanderbiltindustries.com

Data and design subject to change without notice.
Supply subject to availability.

VANDERBILT