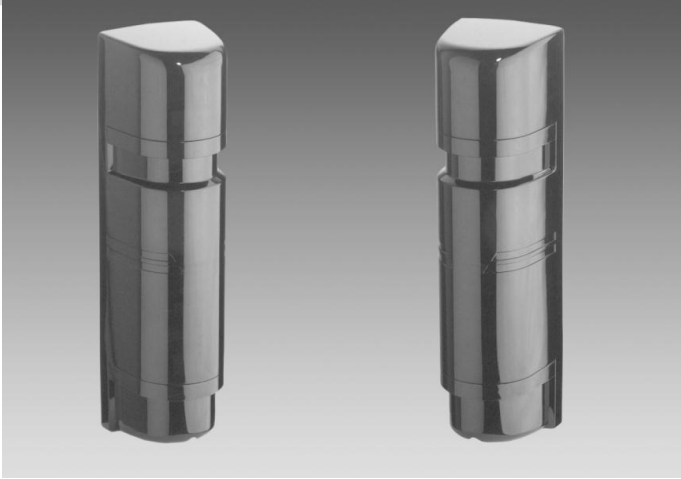


# IS443-IS444-IS445

Photoelectric infrared beams, with quad beams for internal & external applications

VANDERBILT



## Key Features include:

- External perimeter protection from 50 m to 200 m
- Synchronised and sophisticated quad beams serve to reinforce the range and stability in harsh environments and severe weather conditions
- Automatic gain control
- 4 separate choices of frequencies
- Selectable beam transmission strength

**Approved detection performance.** The 4 infrared beams work in an AND-function, which guarantees immunity from falling leaves and small animals. Strong active infrared transmission with a ten times greater infrared power than for the specified maximum distance. Special housing design ensures reliable operation when there is frost or dew.

**Automatic gain control.** The sensitivity is automatically increased in severe weather conditions to contend with fog, heavy rain, frost or snow.

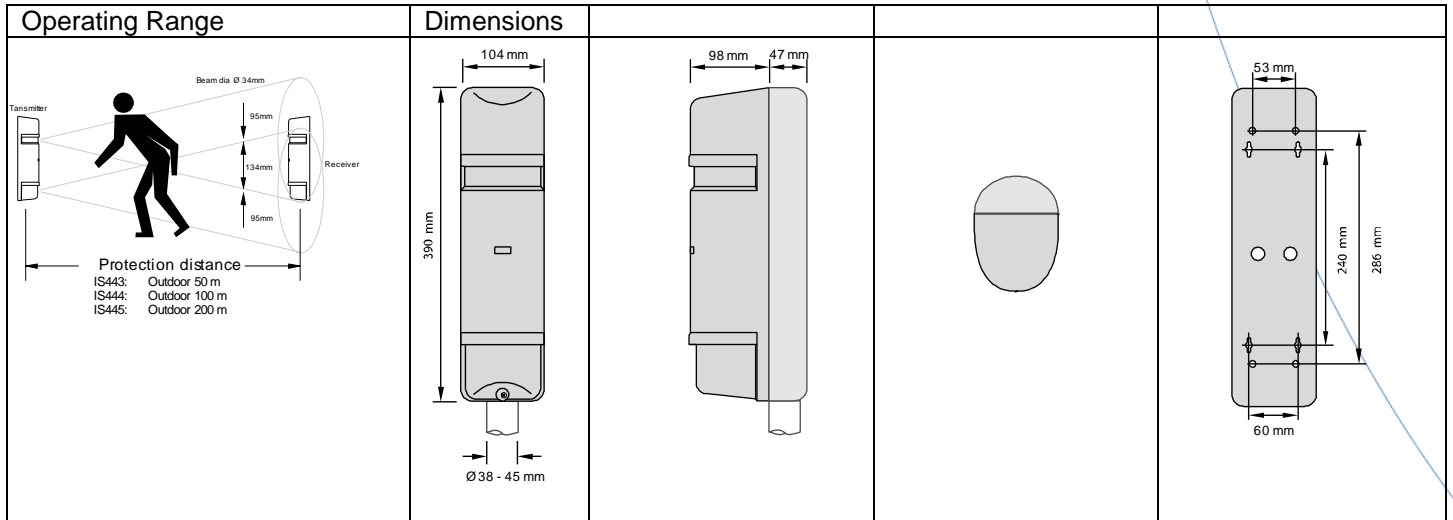
**Highest false alarm immunity.** Special light compensation circuit for excellent immunity against sun, car, fluorescent or mercury lights.

**Environmental module.** Notification via a relay output when the received beam signal level reaches an unacceptable level.

# IS433-IS434-IS435

Photoelectric infrared beams, with quad beams for internal & external applications

VANDERBILT



## ■ Technical Data

Type	IS443	IS444	IS445
Detection system	Simultaneous breaking of 4 beams		
Infrared beam	Double modulation pulsed beam by LED		
Protection distance	Outdoor < 50 m	Outdoor < 100 m	Outdoor < 200 m
Response time	50 ms ... 700 ms variable (Standard: 50 ms)		
Power supply	12 VDC ... 30 VDC (non-polarity)		
Current consumption	95 mA	105 mA	120 mA
Alarm output		30 VAC/DC 1 A approx. 1.5 s	
Indications		Red LED	
- Alarm (Receiver)		Red LED	
- Sensitivity attenuation (Receiver)		Red LED	
Tamper output		30 VAC/DC 0.1 A	
- Cover contact (opens on tamper)		30 VAC/DC 0.1 A	
Functions	Modulated beam frequency selection, tone indicator, environmental module, alarm memory indication, programmed AGC, auto-gain lock function, monitor jack		
Beam adjustment	Horizontal: $\pm 90^\circ$ C, Vertical $\pm 10^\circ$ C		
Environmental conditions	- 25° C ... + 66° C		
Mounting location	Outdoor		
Mounting position	Wall, tower or 45mm diameter pole (clamps supplied)		
Housing protection (EN 60529, EN 50102)	IP55		

VANDERBILT

# IS443-IS444-IS445

Photoelectric infrared beams, with quad beams for internal & external applications

**VANDERBILT**

## Options

### Heaters

These are required for cold environments, where the build-up of frost and/or snow is likely. The heaters can be mounted within the detectors or the beam towers.

### Pole Covers

The covers provide additional ingress protection to the beams when they are pole mounted.

■ Accessories Information			
Type	Part No.	Description	Weight
HTF-24	NBPZ:5386110001	Heater (2 pieces./set) 24 VDC ; 300 mA for each heating element	0.082 kg
BP-200F	NBPZ:5386240001	Pole cover (2 pieces./set)	0.300kg

### ■ Ordering Information

Type	Part No.	Description	Weight
IS443	VBPZ:5299920001	Photoelectric beam sensor (20m)	2.5 Kg
IS444	VBPZ:5299890001	Photoelectric beam sensor (40m)	2.5 Kg
IS445	VBPZ:5299500001	Photoelectric beam sensor (60m)	2.5 Kg