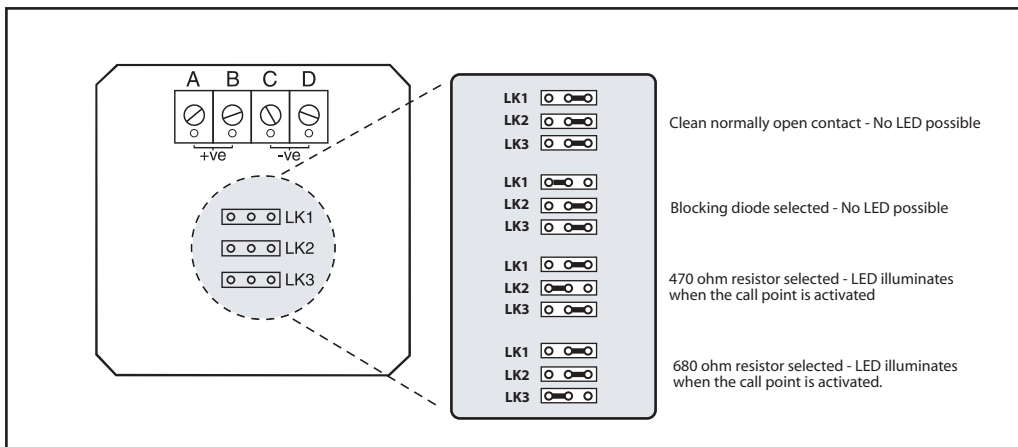
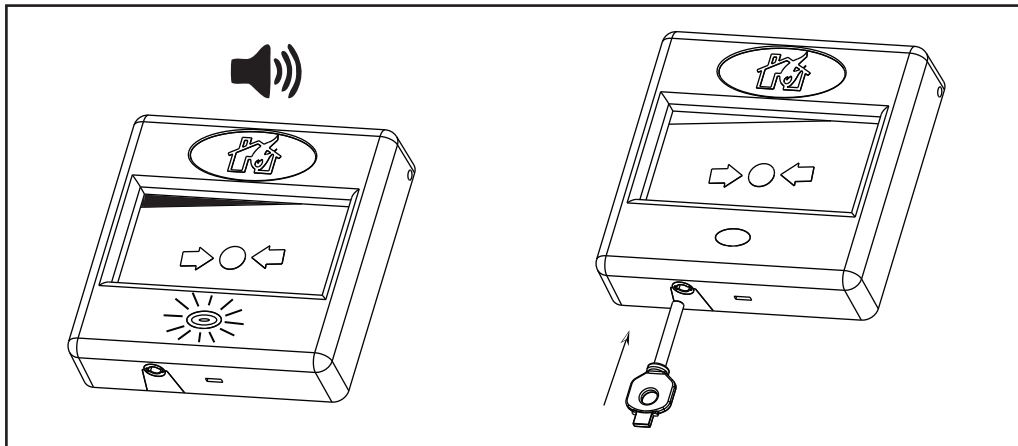
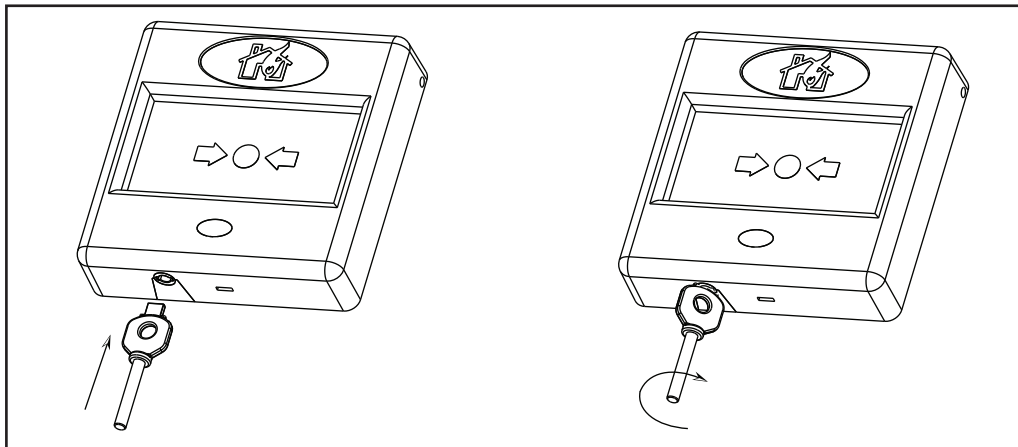
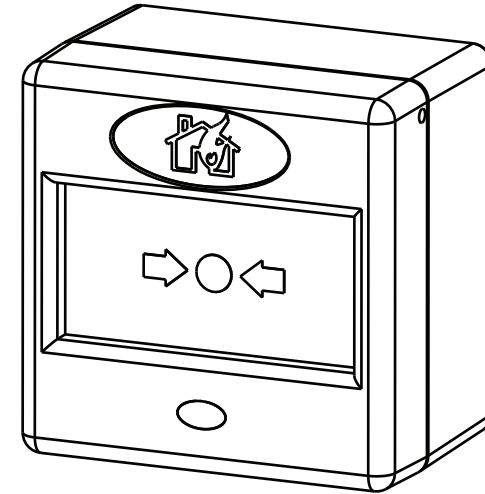




FP3 Manual Call Point

GB Patent 2404494 : EN54-11

CPD Certified 09: No 09129002/AA/00



Technical Specifications

EN54-11 Classification	Type A: Direct operation
Operating Element	Non resettable frangible element (Glass) or Resettable frangible element (Plastic)
Switch Type	Single pole.
Operating Voltage	Nominally 12-24 volts D.C
Contact Rating	12A 125/250 VAC
Monitoring Resistor	Selectable, 470Ω or 680Ω 1 watt carbon film
Blocking Diode	Selectable, type IN4001 (50V)
LED Indication	Red LED with current limiting resistor
Terminal Type	2.5mm insertion type, rated 10A/250VAC
Mode Selection	Jumpers
IP Rating	IP44 For indoor use only
Temperature Range	-10C to +55C
Materials	Case ABS, operating element Glass or Polycarbonate

Environmental Advice.

This product is covered by current WEEE regulations. Please consider the effect on the environment when disposing of it. Do not put in a domestic waste bin. Only dispose of at an appointed recycling centre.



CE0560

