

EMDRU1335

Magnetic door release unit

VANDERBILT



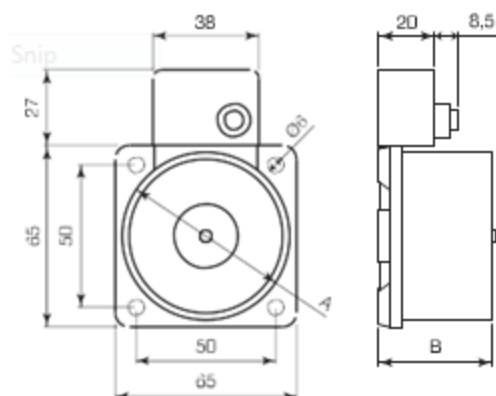
Key Features include:

- Compact design
- High holding force
- Low current consumption
- Release button and protection circuit
- Adjustable dampening keeper plate
- Discrete installation
- Suitable for large or small fire doors
- Door can be manually or automatically closed
- Flexible keeper plate compensates for door misalignment

EMDRU1335

Magnetic door release unit

VANDERBILT



■ Technical Specifications

Supply voltage	24 VDC
Current consumption	45mA
Holding force	50Kg 490N
Installation	
- Keeper plate	Door mounted
- Magnet unit	Wall mounted
Material/Colour	
- Keeper plate	ABS/Black & stainless steel
- Magnet unit	ABS/Black & stainless steel
Ambient conditions	
- Operating temperature	+10 ... +55 °C
- Housing protection (EN60529)	IP40
Dimensions	
- Keeper plate (h x w x d)	65 x 65 x 50mm
- Magnet unit	90 x 64 x 35mm

■ Ordering Information

Type	Art.-No.	Description	Weight
EMDRU1335	N54591-Z128-A100	EMDRU1335 Electromag. 50Kg, terminal	540g

Issued by
Vanderbilt
Clonshaugh Business and
Technology Park
Clonshaugh
Dublin 17
Ireland
www.vanderbiltindustries.com

Data and design subject to change without notice.
Supply subject to availability.

VANDERBILT