



INSTALLATION AND OPERATION MANUAL

CNGE4TX4US/M

10/100/1000 MBPS 4 PORT ETHERNET UNMANAGED SWITCH

The ComNet CNGE4TX4US/M Ethernet 4 port unmanaged switches are designed to transmit and receive 10/100/1000 Mbps Ethernet data. The CNGE4TX4US/M are environmentally hardened to operate in demanding environments.

LED indicators are provided for confirming equipment operating status. Plug-and-play design ensures ease of installation requiring no user adjustments. Packaged in the exclusive rugged ComNet medium housing, these units may be either wall mounted, or may be DIN-rail mounted by the addition of ComNet model DINBKT4 adaptor.

See **Figure A** for mounting instructions.

FIGURE 1 - CNGE4TX4US/M UNMANAGED SWITCH

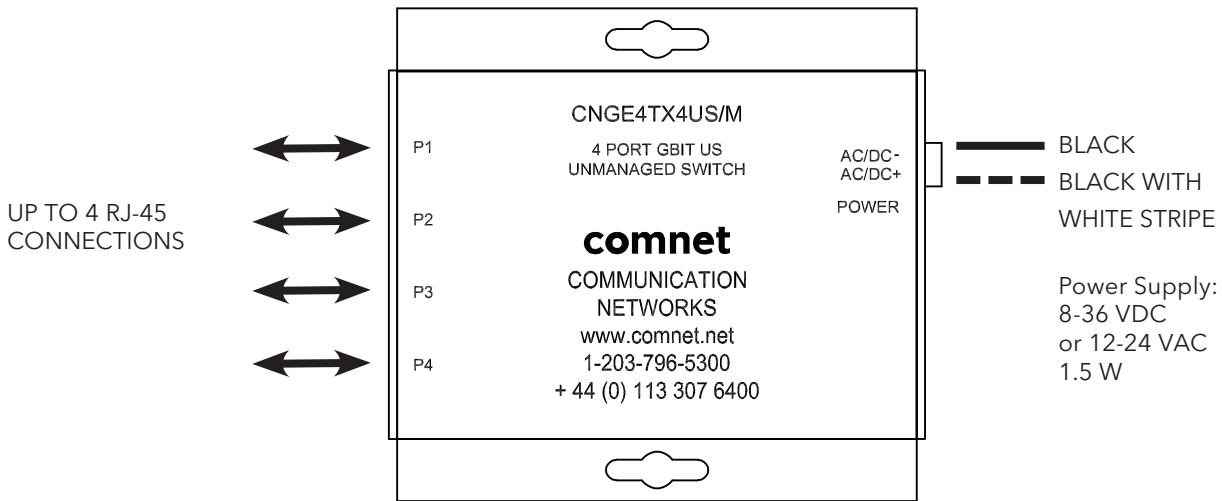


FIGURE 2 - CNGE4TX4US/M

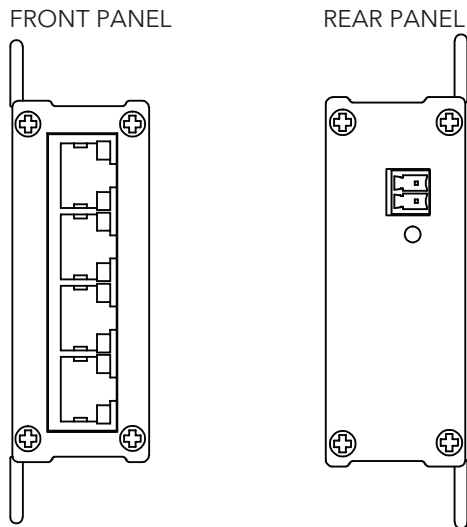


FIGURE 3 - LED INDICATORS

	PORT ACTIVITY/SPEED (1 - 4)	POWER
SOLID	No Activity	Unit powered up
GREEN	Activity on Indicated Port	-
YELLOW	Activity	-
OFF	No Link	Unit Powered Down

MECHANICAL INSTALLATION INSTRUCTIONS

INSTALLATION CONSIDERATIONS

This fiber-optic link is supplied as a Standalone module. Units should be installed in dry locations protected from extremes of temperature and humidity.

C1-US, C1-EU, C1-AU OR C1-CH CARD CAGE RACKS

CAUTION: Although the units are hot-swappable and may be installed without turning power off to the rack, ComNet recommends that the power supply be turned off and that the rack power supply is disconnected from any power source. **Note:** Remove electrical connector before installing in card cage rack.

1. Make sure that the card is oriented right side up, and slide it into the card guides in the rack until the edge connector at the back of the card seats in the corresponding slot in the rack's connector panel. Seating may require thumb pressure on the top and bottom of the card's front panel.

CAUTION: Take care not to press on any of the LEDs.

2. Tighten the two thumb screws on the card until the front panel of the card is seated against the front of the rack.

WARNING: Unit is to be used with a Listed Class 2 or LPS power supply.

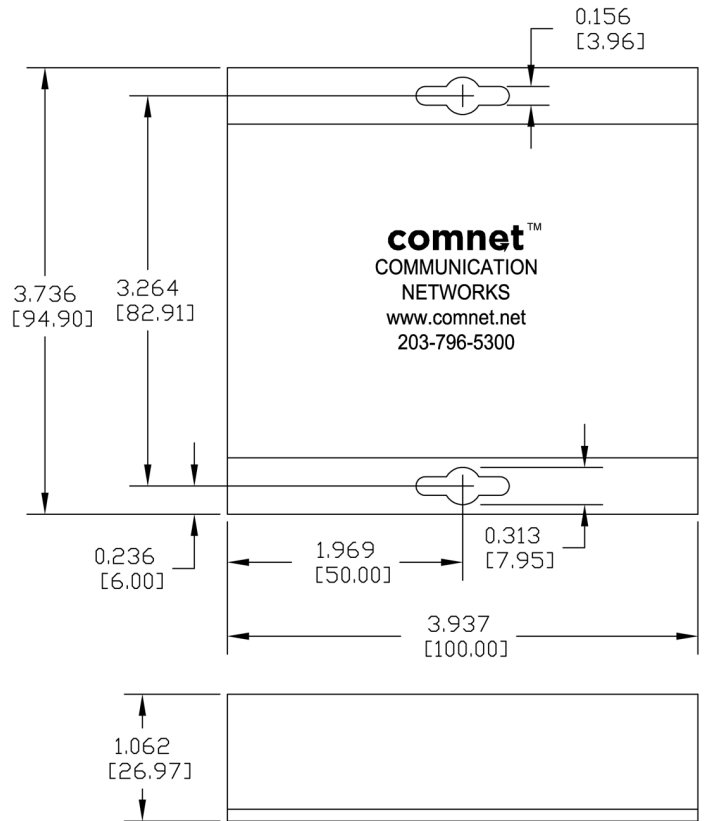
IMPORTANT SAFEGUARDS:

A) Elevated Operating Ambient - If installed in a closed or multi-unit rack assembly, the operating ambient temperature of the rack environment may be greater than room ambient. Therefore, consideration should be given to installing the equipment in an environment compatible with the maximum ambient temperature (T_{ma}) specified by the manufacturer.

B) Reduced Air Flow - Installation of the equipment in a rack should be such that the amount of air flow required for safe operation of the equipment is not compromised.

FIGURE A

Dimensions are for a standard ComNet medium size module



comnet
Communication Networks

3 CORPORATE DRIVE | DANBURY, CT 06810 | USA
T: 203.796.5300 | F: 203.796.5303 | TECH SUPPORT: 1.888.678.9427 | INFO@COMNET.NET

8 TURNBERRY PARK ROAD | GILDERSOME | MORLEY | LEEDS, UK LS27 7LE
T: +44 (0)113 307 6400 | F: +44 (0)113 253 7462 | INFO-EUROPE@COMNET.NET

MADE IN THE
USA