

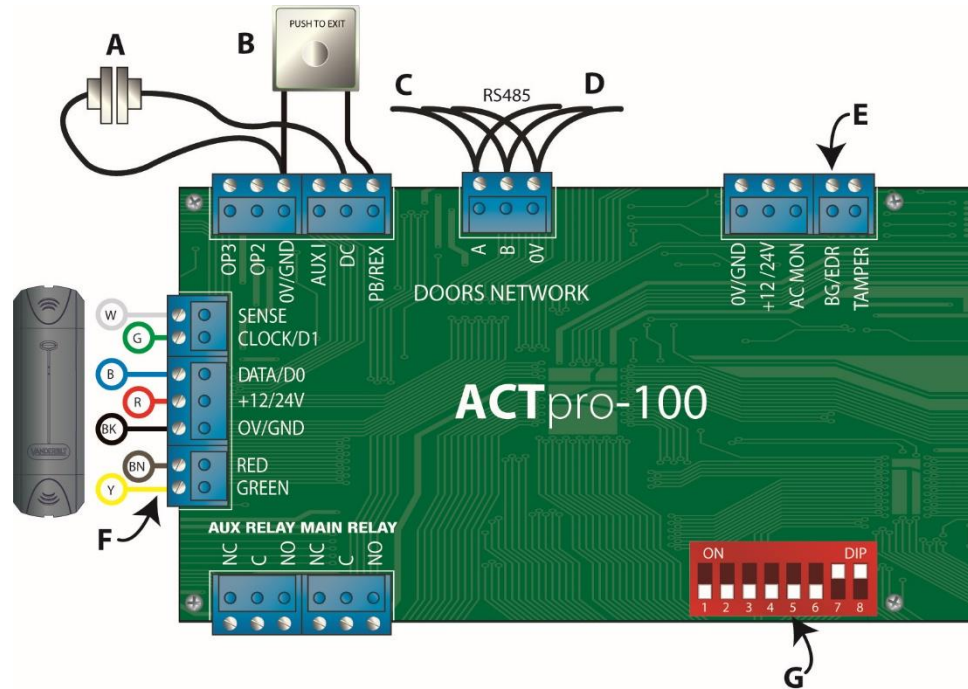


<https://van.fyi?Link=ACTpro100>

Document ID: A-100655
Edition date: 02.07.2020

Wiring for Vanderbilt EM1030 Clock & Data or Wiegand Reader

Wire Colour	Terminal
White	SENSE
Green	CLOCK / DATA 1
Blue	DATA / DATA 0
Red	+12V / 24V
Black	0V
Brown	RED
Yellow	GREEN
Orange	(Buzzer Control)



A	Door contact
B	Door push button
C	From previous door or controller
D	To next door
E	Break glass monitoring, normally closed
F	Vanderbilt reader wire colour coding
G	DIP switches for door station addressing.

Wiring exit readers

For Clock & Data readers, wire exit reader in parallel but leave the sense line unconnected.

For Wiegand readers, wire the DATA 0 of the exit reader to SENSE on the ACTpro-100.

Max length 30m with 5V DC

Max length 100m with 12V DC

Cable: 8 Core Screened Belden 9504 or equivalent

Notes

- Network cable is single shielded twisted pair, Belden 9501 or equivalent. Total Length max 1.4km.
- If the AC Monitor, Door Contact or BreakGlass inputs are not used, they should be linked to 0V, or the feature should be disabled in ACT Enterprise software.
- The Blue Comms OK LED is on while ACTpro-100 is communicating with the controller.
- Red Fault LED illuminates on: Tamper, Comms Offline, BreakGlass, Voltage Low, Current Limiting Fuse (500mA)

Declaration of Conformity

Hereby, Vanderbilt International (IRL) Ltd declares that this equipment type is in compliance with the following EU Directives for CE marking:

- Directive 2014/30/EU (Electromagnetic Compatibility Directive)
- Directive 2011/65/EU (Restriction of the use of certain hazardous substances Directive)

The full text of the EU declaration of conformity is available at: <http://van.fyi?Link=DoC>

Installation Instructions

This guide describes the installation of the ACTpro-100 door stations, which are compatible with the ACTpro-1500 and ACTpro-4000 family of controllers.

The ACTpro-100 is a single door station.

Technical specification

Input Voltage Range	12 / 24V DC
Current Consumption	40–120 mA
Operating Environment	Surface mounting Internal use only
Operating Temperature	-10 to +55°C
Dimensions (H x W x D mm)	165 x 236 x 55
Weight (kg)	0.4
Enclosure Material	ABS
LED Status Indicators	Yes
PSU Fault Output	n/a
Lid Opening Tamper Detection (Front)	Yes
Rear Tamper Detection	No

Relay load

When used with inductive loads (Maglock/Strike locks) the following ratings apply.

Main relay	1.5A @ 30VDC / 1.5A @ 50VAC
Aux relay	400mA @ 30VDC

Ordering details

ACTpro-100	V54502-C120-A100	Single door station
------------	------------------	---------------------

Installation

The ACTpro-100 door stations are for indoor installation only and must be installed as permanently connected equipment.

Reset the ACTpro-100 door station to its factory default condition before installation. To do this, power the unit up with ALL switches in the OFF position. The unit will beep after 3 seconds. The unit is now defaulted. Set the DIP switches to the appropriate address.

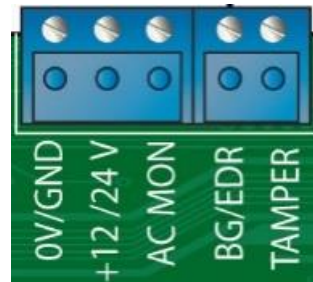
Mounting

Mount the ACTpro door station directly on to the wall with the supplied screws.

The unit should be installed in a ventilated area that allows for accessibility after installation.

Power supply

The ACTpro-100 requires an external 12 / 24V DC power supply. The supply should be connected to the +12 / 24V DC and 0V/GND connections.



DIP switch addressing

Door 1 is on the ACTpro-1500 controller (max. 31 doors).

Door 1 and 2 is on the ACTpro-4000 controller (max. 16 doors).

The following table shows how to set the door station DIP switch for each address (01–32).

	1	2	3	4	5	6	7	8
01	OFF	OFF	OFF	OFF	OFF	OFF	OFF	ON
02	OFF	OFF	OFF	OFF	OFF	OFF	ON	OFF
03	OFF	OFF	OFF	OFF	OFF	OFF	ON	ON
04	OFF	OFF	OFF	OFF	OFF	ON	OFF	OFF
05	OFF	OFF	OFF	OFF	OFF	ON	OFF	ON
06	OFF	OFF	OFF	OFF	OFF	ON	ON	OFF
07	OFF	OFF	OFF	OFF	OFF	ON	ON	ON
08	OFF	OFF	OFF	OFF	ON	OFF	OFF	OFF
09	OFF	OFF	OFF	OFF	ON	OFF	OFF	ON
10	OFF	OFF	OFF	OFF	ON	OFF	ON	OFF
11	OFF	OFF	OFF	OFF	ON	OFF	ON	ON
12	OFF	OFF	OFF	OFF	ON	ON	OFF	OFF
13	OFF	OFF	OFF	OFF	ON	ON	OFF	ON
14	OFF	OFF	OFF	OFF	ON	ON	ON	OFF
15	OFF	OFF	OFF	OFF	ON	ON	ON	ON
16	OFF	OFF	OFF	ON	OFF	OFF	OFF	OFF
17	OFF	OFF	OFF	ON	OFF	OFF	OFF	ON
18	OFF	OFF	OFF	ON	OFF	OFF	ON	OFF
19	OFF	OFF	OFF	ON	OFF	OFF	ON	ON
20	OFF	OFF	OFF	ON	OFF	ON	OFF	OFF
21	OFF	OFF	OFF	ON	OFF	ON	OFF	ON
22	OFF	OFF	OFF	ON	OFF	ON	ON	OFF
23	OFF	OFF	OFF	ON	OFF	ON	ON	ON
24	OFF	OFF	OFF	ON	ON	OFF	OFF	OFF
25	OFF	OFF	OFF	ON	ON	OFF	OFF	ON
26	OFF	OFF	OFF	ON	ON	OFF	ON	OFF
27	OFF	OFF	OFF	ON	ON	OFF	ON	ON
28	OFF	OFF	OFF	ON	ON	ON	OFF	OFF
29	OFF	OFF	OFF	ON	ON	ON	OFF	ON
30	OFF	OFF	OFF	ON	ON	ON	ON	OFF
31	OFF	OFF	OFF	ON	ON	ON	ON	ON
32	OFF	OFF	ON	OFF	OFF	OFF	OFF	OFF

Monitoring

All faults including AC Monitor and Tamper are reported on the ACT Enterprise software.

Output Voltage	The PSU output voltage level is reported to the ACT Enterprise software.
Tamper	The enclosure lid is tamper monitored.

Data and design subject to change without notice. / Supply subject to availability.

© 2020 Copyright by Vanderbilt International Ltd.

We reserve all rights in this document and in the subject thereof. By acceptance of the document the recipient acknowledges these rights and undertakes not to publish the document nor the subject thereof in full or in part, nor to make them available to any third party without our prior express written authorization, nor to use it for any purpose other than for which it was delivered.

VANDERBILT

Issued by Vanderbilt International Ltd.
Clonshaugh Business and Technology Park
Clonshaugh, Dublin D17 KV 84, Ireland

vanderbiltindustries.com/contact