

PR/SP/HD/PM500-EM/Cotag to SPCA210.100 via Clock-Data

SPC

Application note

TCC-2017-013_PR-SP-HD-PM500-connected-to-SPCA-via-ClockData_330_01_EN

COTAG / EM

SP500



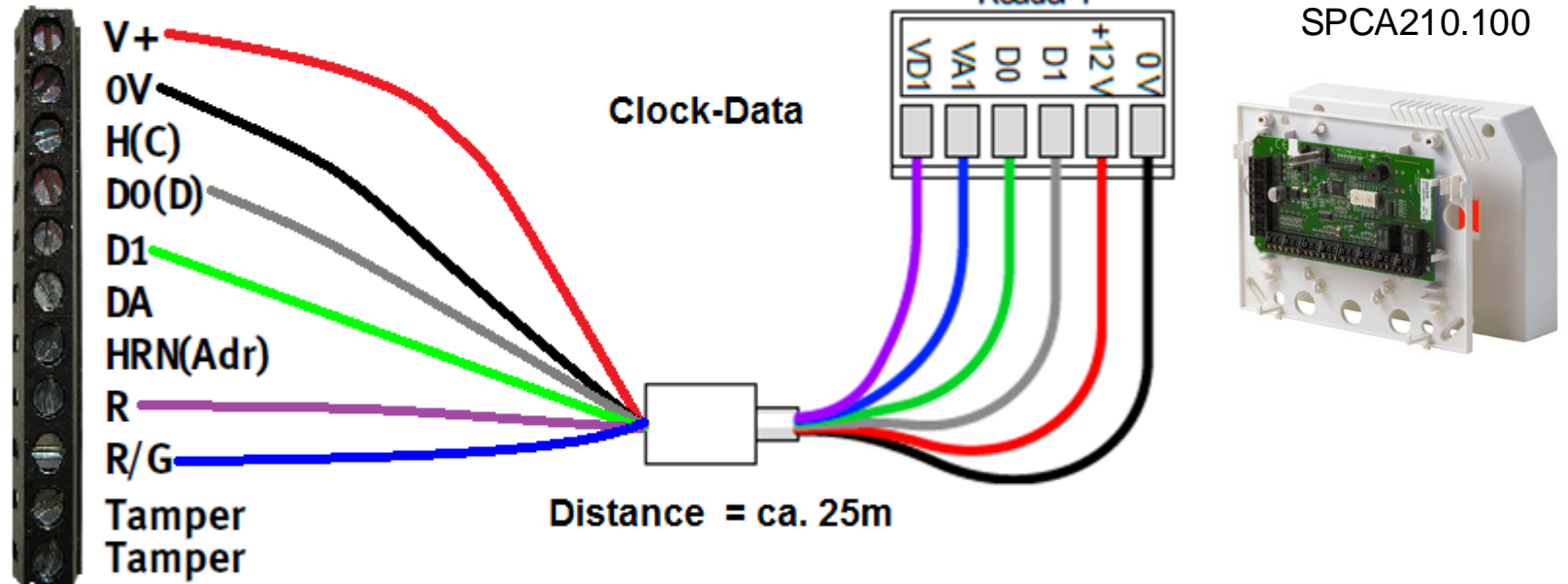
PR500



HD500



PM500



SPCA210.100



Configuration of SP/PR/HD/PM500:

→ the reader will be delivered with Clock-Data/BC-Link

Configuration in SPC via web browser:

- Configuration
 - Doors
 - Location – click on Door controller
 - Select reader profile by affected reader interface → „Default“
- Configuration
 - System
 - System options
 - Door
 - Card Formats – Edit -> check all card formats

SP/PR/HD/PM500 card reader reads Cotag or EM cards, in dependance on the card reader technology (Cotag or EM):

Cotag cards: **IB928** active Cotag clamshell card (Ord.-No.: V24246-D5203-A1), **IB911** active Cotag key-ring tag (Ord.-No.: V24246-D5204-A1), **IB968** passive Cotag clamshell card (Ord.-No.: V54501-S10-A1), **IB958M** passive Cotag card with magnetic stripe (Ord.-No.: V54501-S11-A1), **IB981** passive Cotag key-ring tag (Ord.-No.: V54501-N7-A1)

EM cards: **IB42-EM** blank printable EM laminated card without print (Ord.-No.: V24246-D4901-A1), **IB44-EM** Keyring tag (Ord.-No.: V24246-D4902-A1), **IB44-EM-LB** Keyring tag (Ord.-No.: VGBl:15-426), **IB45-EM** EM adhesive tag (Ord.-No.: S24246-D4903-A1)

SP/PR/HD/PM500-Cotag

SP500 Order No.: V24246-F4704-A1

PR500 Order No.: V24246-F4706-A1

HD500 Order No.: V24246-F4703-A1

SP/PR/HD/PM500-EM

SP500 Order No.: V24246-F3902-A1

PR500 Order No.: V24246-F3913-A1

HD500 Order No.: V24246-F3901-A1

PM500 Order No.: V24246-F3903-A1

Note:

- Tested with: SPC Software version v3.7.1, SPCA210.100 v2.01
- 10-digit card number using IB42-EM cards

VANDERBILT

vanderbiltindustries.com



@VanderbiltInd



Vanderbilt Industries

Vanderbilt International GmbH

Borsigstrasse 34
65205 Wiesbaden
Germany



+49 721 958 8088