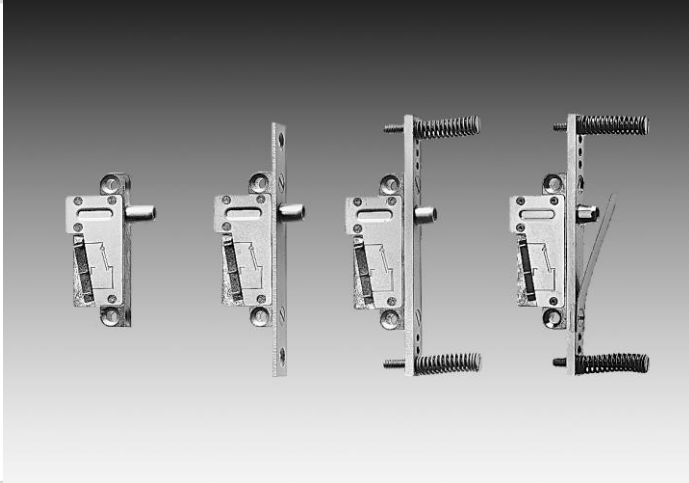


TKU2 / TKU3 / TKU4 / TKU5

Surveillance contacts

VANDERBILT



Key Features include:

- Universal application
- Robust construction
- Small dimensions
- Sabotage by magnet impossible

Universal application. The surveillance contacts announce the opening of doors, windows, etc. They can also be used to announce the state (open / closed) of the bolts.

Great reliability. The micro switch is built-in in a compact and non-corrosive die-cast casing. The micro switch is protected from mechanical deteriorations by a dead stop. Sabotage of the surveillance contact by an external magnet is impossible.

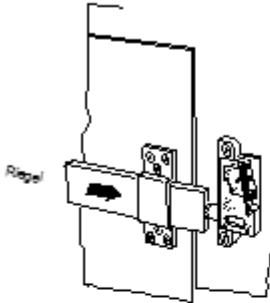
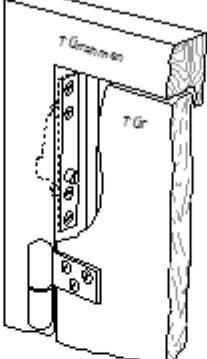
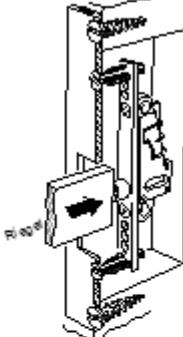
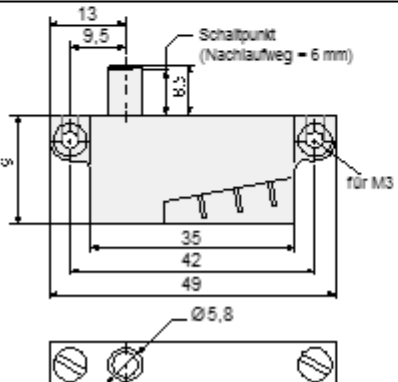
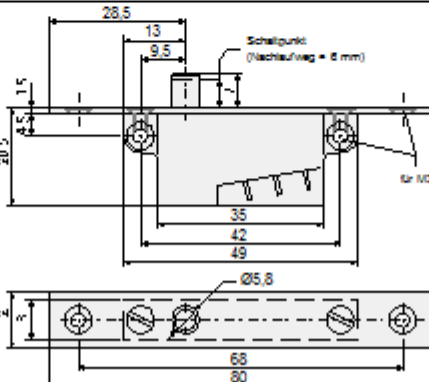
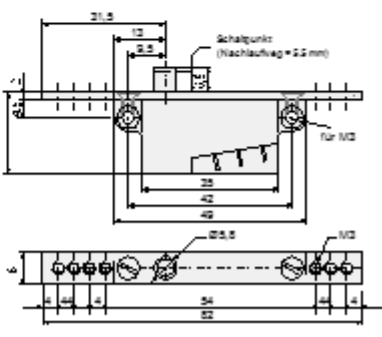
Fast and simple to install. The self-adhesive sheets facilities the assembly of the surveillance contacts.

A solution for every problem. With the four models TKU2, TKU3, TKU4 and TKU5 practically all the problems arising from the monitoring of an opening can be solved.

TKU2 / TKU3 / TKU4 / TKU5

Surveillance contacts

VANDERBILT

TKU2	TKU3	TKU4 / TKU5
 <p>Pegel</p>	 <p>TÜröffnen Tür</p>	 <p>Rückfl.</p>
 <p>13 9,5 Schaltpunkt (Nachlaufweg = 6 mm) 8,5 für M3 35 42 49 Ø5,8</p>	 <p>28,5 13 9,5 Schaltpunkt (Nachlaufweg = 6 mm) 1,5 20,5 für M3 35 42 49 Ø5,8 66 80</p>	 <p>21,5 13 9,5 Schaltpunkt (Nachlaufweg = 22 mm) für M3 35 42 49 Ø5,8 66 80</p>

VANDERBILT

TKU2 / TKU3 / TKU4 / TKU5

Surveillance contacts

VANDERBILT

■ Technical Data

Single pole changeover contact	
- Switch power rating	Max. 25 W
- Current	Max. 1 A
- Voltage	Low voltage
Actuation pressure	max. 400 g
Over travel, depending on type and shaft extensions	4 ... 7 mm
Ambient temperature range	- 20 ... + 50° C

■ Ordering Data

Type	Art. No.	Designation	Weight
TKU2	VPBZ:2305080001	Surveillance contact for surface mounting	0.020 kg
TKU3	VPBZ:2307860001	Surveillance contact for recessed mounting	0.030 kg
TKU4	VPBZ:2307990001	Surveillance contact for bolt locks	0.035 kg
TKU5	VPBZ:2442770001	Surveillance contact for bolt locks with a protective spring	0.040 kg