

VANDERBILT

Issued by:
Vanderbilt
Clonshaugh Business and Technology Park
Clonshaugh
Dublin
D17 KV84
Ireland
www.service.vanderbiltindustries.com

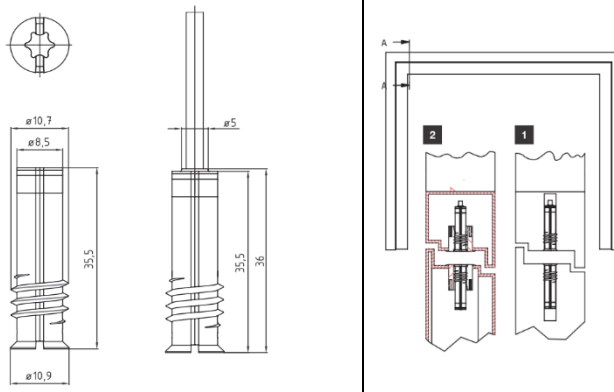
MK-2400, MK-2460, MK-2470 MK-2700, MK-2720

Magnetkontakte	Magnetic Contacts
Contacts magnétiques	Contatti magnetici
Contactos magnéticos	Magnetkontakter

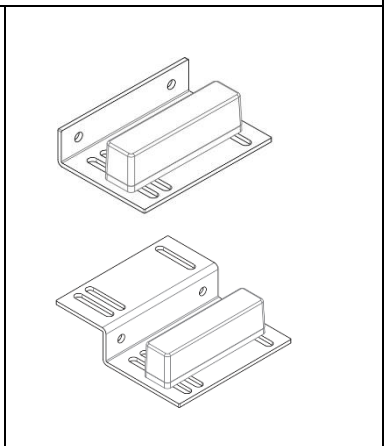
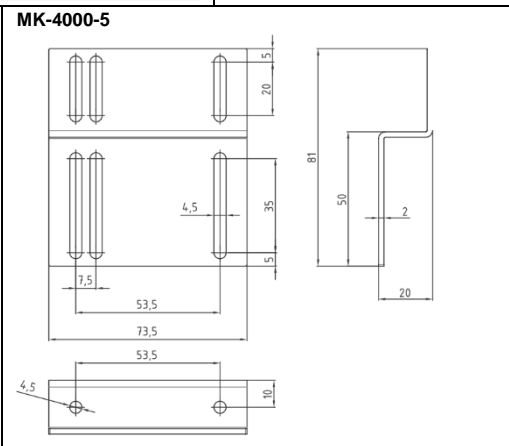
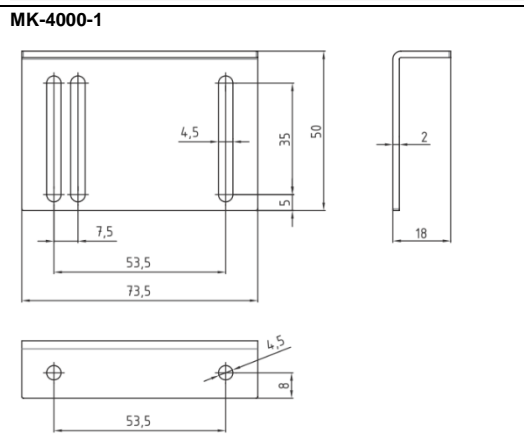
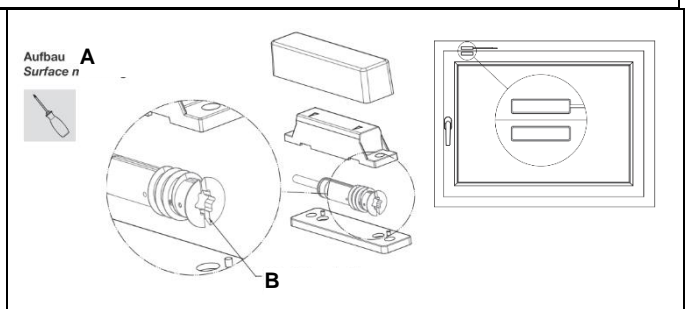
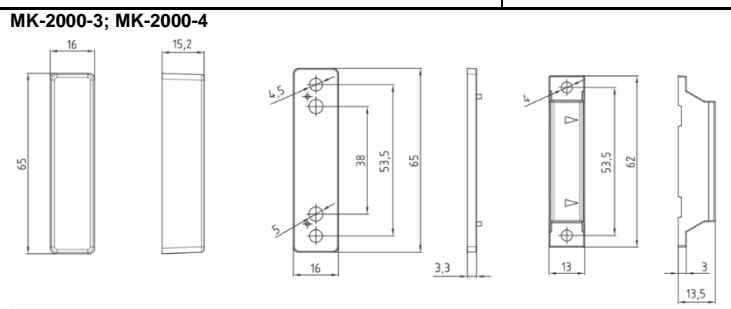
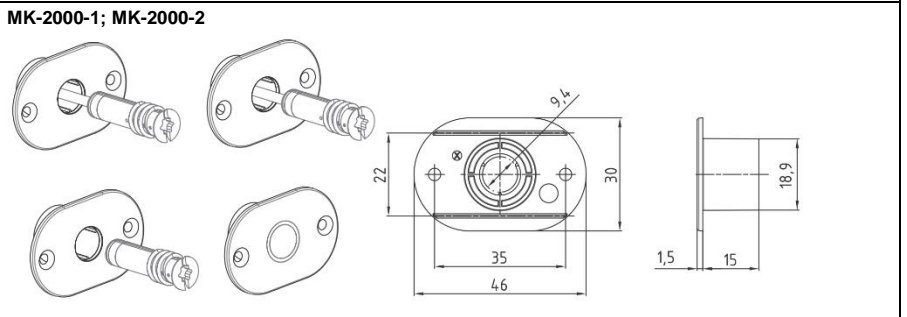
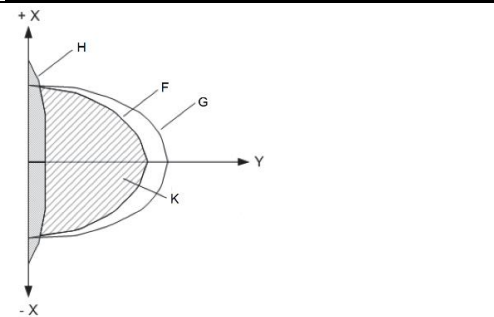
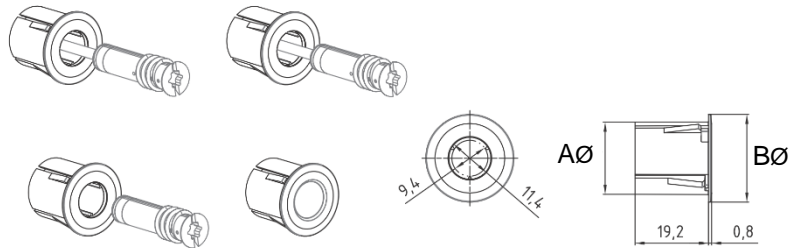
Document no. A6V10427367_c
Edition 22.04.2016
MA0001968



Art.	Art. No.
MK-2400-2 Magn. Cont.,2m,G2	V54536-F102-A100
MK-2400-6 Magn. Cont.,6m,G2	V54536-F102-A200
MK-2400-10 Magn. Cont.,10m,G2	V54536-F102-A300
MK-2400-20 Magn. Cont.,20m,G2	V54536-F102-A400
MK-2400-2-1K Magn. Cont.,2m,G2,1K	V54536-F103-A100
MK-2400-2-2K2 Magn. Cont.,2m,G2,2K2	V54536-F103-A200
MK-2460-6 Magn. Cont.,6m,G2,SPDT	V54536-F105-A100
MK-2470-2 Magn. Cont.,2m,G2,2xNC	V54536-F106-A100
MK-2000-1 Flange 8/20, slot	V54536-M101-A100
MK-2000-2 Flange 8/20, slot, strong magn.	V54536-M101-A200
MK-2000-3 Surface mount housing	V54536-H101-A100
MK-2000-4 Surface mount housing, magn.	V54536-H101-A200
MK-2000-21 Flange 8/25, rnd.	V54536-M102-A300
MK-2000-22 Flange 8/25, rnd., strong magn.	V54536-M102-A400
MK-2000-31 Flange 8/20, rnd.	V54536-M102-A100
MK-2000-32 Flange 8/20, rnd., strong magn.	V54536-M102-A200
MK-2700-2 Magn. Cont.,2m,G3	V54536-F108-A100
MK-2700-20 Magn. Cont.,20m,G3	V54536-F108-A300
MK-2700-6 Magn. Cont.,6m,G3	V54536-F108-A200
MK-2720-6 Magn. Cont.,6m,G3,SPDT	V54536-F109-A100
MK-4000-1 Mounting bracket L	V54536-M105-A100
MK-4000-2 Strong magnet	V54536-N101-A100



	AØ	BØ
MK-2000-21	25mm	30mm
MK-2000-22	25mm	30mm
MK-2000-31	18.9mm	23mm
MK-2000-32	18.9mm	23mm



	MK-2400	MK-2470	MK-2460	MK-2700	MK-2720										
VdS / EN / SBSC	VdS Klasse B, G114509 EN 50131-2-6, Grade 2 SBSC, Larmklass 1/2	VdS Klasse B, G114514 EN 50131-2-6, Grade 2 SBSC, Larmklass 1/2	EN 50131-2-6, Grade 2 SBSC, Larmklass 1/2	VdS Klasse C, G114027 EN 50131-2-6, Grade 3 SBSC, Larmklass 3/4	EN 50131-2-6, Grade 3 SBSC, Larmklass 3/4										
MK-2000-3	X	X	X												
MK-2000-4	X	X	X												
MK-2000-1					X										
MK-2000-31					X										
MK-2000-2	X	X	X	X	X										
MK-2000-32	X	X	X	X	X										
Schaltabstand Holz/Kunststoff / Operating distance wood/plastic / Distance de commutation bois/plastique / Distanza di attivazione legno/plastica / Distancia de trabajo madera/plástico / Brytavstånd trä/plast															
	D	E	D	E	D	E	D	E	D	E					
Magnet Ø 6 x 30 mm AlNiCo 5	F	19	±4	F	15	±3	F	14	±3	F	18	±4	F	20	±5
	G	25	±4	G	22	±4	G	16	±3	G	24	±4	G	30	±7
	H			H			H			H	4	±3	H	2	±2
MK-2000-3	F	16	±3	F	15	±5	F	13	±5	F			F		
	G	22	±3	G	22	±5	G	15	±4	G			G		
	H			H			H			H			H		
MK-2000-4	F	27	±5	F	25	±7	F	22	±6	F			F		
	G	35	±5	G	33	±7	G	33	±5	G			G		
	H			H			H			H			H		
Schaltabstand Stahl / Operating distance steel / Distance de commutation acier / Distanza di attivazione acciaio / Distancia de trabajo acero / Brytavstånd stål															
	D	E	D	E	D	E	D	E	D	E					
MK-2000-4	F	13	±5	F	12	±6	F	11	±5	F			F		
	G	18	±4	G	17	±6	G	12	±5	G			G		
	H			H			H			H			H		
MK-2000-1	F			F			F			F			F	9	±3
	G			G			G			G			G	13	±4
	H			H			H			H			H	1	±1
MK-2000-31	F			F			F			F			F	9	±3
	G			G			G			G			G	13	±4
	H			H			H			H			H	1	±1
MK-2000-2	F	16	±3	F	14	±3	F	14	±3	F	15	±3	F	17	±3
	G	19	±3	G	17	±4	G	15	±3	G	18	±3	G	21	±4
	H			H			H			H	4	±2	H	4	±2
MK-2000-32	F	13	±3	F	13	±3	F	12	±3	F	13	±3	F	17	±3
	G	16	±3	G	16	±3	G	13	±3	G	16	±3	G	21	±4
	H			H			H			H	4	±2	H	4	±2

Deutsch English Svenska

Übersicht	Beschreibung
1	Einbau in Holz / Kunststoff
2	Einbau in Stahl
A	Aufbau Montage
B	Einbaurichtung beachten
D	Schaltabstand
E	Toleranz
F	Annäherung
G	Abzug
H	Sabotagebereich / Mindestabstand
K	Ruhebereich
LK	Linienkontakt
SV	Spitzverbindung
FF	Fremdfeldkontakt
⋮	Optionaler Widerstand
⇨	In Ruhezustand betätigt

Technische Daten	Schliesser	Wechsler
Schaltleistung	≤ 10 W / VA	≤ 3 W / VA
Schaltspannung	≤ 100 V DC; ≤ 70 VAC	≤ 30 VDC; ≤ 30 VAC
Schaltstrom	≤ 500 mA	≤ 200 mA
Dauerstrom	≤ 500 mA	
Betriebstemperatur	-40 °C bis +70 °C	
Magnet	AlNiCo 5, NdFeB	
Gehäuseschutz	IP67	
Umweltklasse	III / IIIA (VdS / EN)	
Zulassungen	Siehe Tabelle	

Overview	Description
1	Mounting into wood / plastic
2	Mounting into steel
A	Surface mounting
B	Note correct mounting direction
D	Operating distances
E	Tolerance
F	Approach
G	Removal
H	Prohibited area / Minimum distance
K	Safe area
LK	Line contact
SV	Loop connection
FF	External field contact
⋮	Optional resistance
⇨	Operated in idle state

Technical data	N/C contact	Change-over contact
Switching capacity	≤ 10 W / VA	≤ 3 W / VA
Switching voltage	≤ 100 V DC; ≤ 70 VAC	≤ 30 V DC; ≤ 30 VAC
DC switching current	≤ 500 mA	≤ 200 mA
Permanent current	≤ 500 mA	
Operating temperature	-40 °C bis +70 °C	
Magnet	AlNiCo 5, NdFeB	
Protection category	IP67	
Environmental class	III / IIIA (VdS / EN)	
Approvals	See table	

Översikt	Beskrivning
1	Montering i trä/plast
2	Montering i stål
A	Utånpåliggande montering
B	Observera monteringsriktningen
D	Brytavstånd
E	Tolerans
F	Slutning
G	Öppning
H	Sabotageområde/min. avstånd
K	Viloområde
LK	Larmkontakt
SV	Sabotageslinga
FF	Externfältkontakt
⋮	Extra motstånd
⇨	Aktiverad i viloläget

Tekniska data	Slutande kontakt	Växelkontakt
Bryteffekt	≤ 10 W/VA	≤ 3 W/VA
Brytspanning	≤ DC 100 V; ≤ AC 70 V	≤ DC 30 V; ≤ AC 30 V
Brytström	≤ 500 mA	≤ 200 mA
Märkström	≤ 500 mA	
Drifttemperatur	-40 °C...+70 °C	
Magnet	AlNiCo 5, NdFeB	
Kapslingsklass	IP67	
Miljöklass	III / IIIA (VdS / EN)	
Godkännanden	Se tabell	

Aperçu Aperçu	Description
1	Montage dans du bois/plastique
2	Montage dans de l'acier
A	Montage apparent
B	Respecter le sens de montage
D	Distance de commutation
E	Tolérance
F	Approche
G	Retrait
H	Zone sabotage / distance minimale
K	Zone de repos
LK	Contact d'ouverture
SV	Boucle d'autosurveillance
FF	Contact de champ extérieur (sabotage)
⋮	Résistance optionnelle
⇨	Actif au repos

Caractéristiques techniques	Contact simple NF	Contact Inverseur NO/NF
Puissance de commutation	≤ 10 W / VA	≤ 3 W / VA
Tension de commutation	≤ DC 100 V ; ≤ CA 70 V	≤ DC 30 V ; ≤ CA 30 V
Courant de commutation	≤ 500 mA	≤ 200 mA
Courant continu	≤ 500 mA	
Température d'exploitation	-40 °C...+70 °C	
Protection du boîtier	IP67	
Aimant	AlNiCo 5, NdFeB	
Classe d'environnement	III / IIIA (VdS / EN)	
Certifications	Voir le tableau	

Panoramica	Descrizione
1	Installazione in legno / plastica
2	Installazione in acciaio
A	Montaggio su struttura
B	Prestare attenzione alla direzione di installazione
D	Distanza di attivazione
E	Tolleranza
F	Limite di avvicinamento
G	Limite di allontanamento
H	Settore di sabotaggio / distanza minima
K	Zona di riposo
LK	Contatto di allarme
SV	Collegamento a loop (sabotaggio)
FF	Contatto esterno in campo
⋮	Resistenza opzionale
⇨	Azionata in stato di riposo

Specifiche tecniche	Normalmente aperto	Di commutazione
Potere di apertura	≤ 10 W / VA	≤ 3 W / VA
Tensione di commutazione	≤ DC 100 V ; ≤ AC 70 V	≤ DC 30 V ; ≤ AC 30 V
Corrente di commutazione	≤ 500 mA	≤ 200 mA
Corrente continua	≤ 500 mA	
Temperatura di esercizio	-40 °C...+70 °C	
Magnete	AlNiCo 5, NdFeB	
Protezione del contenitore	IP67	
Classe ambientale	III / IIIA (VdS / EN)	
Omologazioni	Vedere tabella	

Visión general	Descripción
1	Montaje en madera/plástico
2	Montaje en acero
A	Configuración montaje
B	Tener en cuenta la dirección de montaje
D	Distancia de trabajo
E	Tolerancia
F	Aproximación
G	Extracción
H	Área de sabotaje/distancia mínima
K	Área de reposo
LK	Contacto de línea
SV	Conexión de pico
FF	Contacto de campo ajeno
⋮	Resistencia opcional
⇨	Activado en estado de reposo

Datos técnicos	Contacto normalmente abierto	Contacto inversor
Capacidad de commutación	≤ 10 W / VA	≤ 3 W / VA
Tensión de contacto	≤ DC 100 V ; ≤ AC 70 V	≤ DC 30 V ; ≤ AC 30 V
Corriente de commutación	≤ 500 mA	≤ 200 mA
Corriente permanente	≤ 500 mA	
Temperatura de servicio	-40 °C...+70 °C	
Imán	AlNiCo 5, NdFeB	
Protección de la carcasa	IP67	
Categoría ambiental	III / IIIA (VdS / EN)	
Certificaciones	Ver tabla	