

ACT Enterprise – OP2 and OP3 outputs

This document describes the functionality of OP2 and OP3 outputs in ACT Enterprise system.

Table of content

1. What are OP2 / OP3 in ACT Enterprise?	2
2. Wiring of OP2 / OP3	2
3. System Snapshot report	3

1. What are OP2 / OP3 in ACT Enterprise?

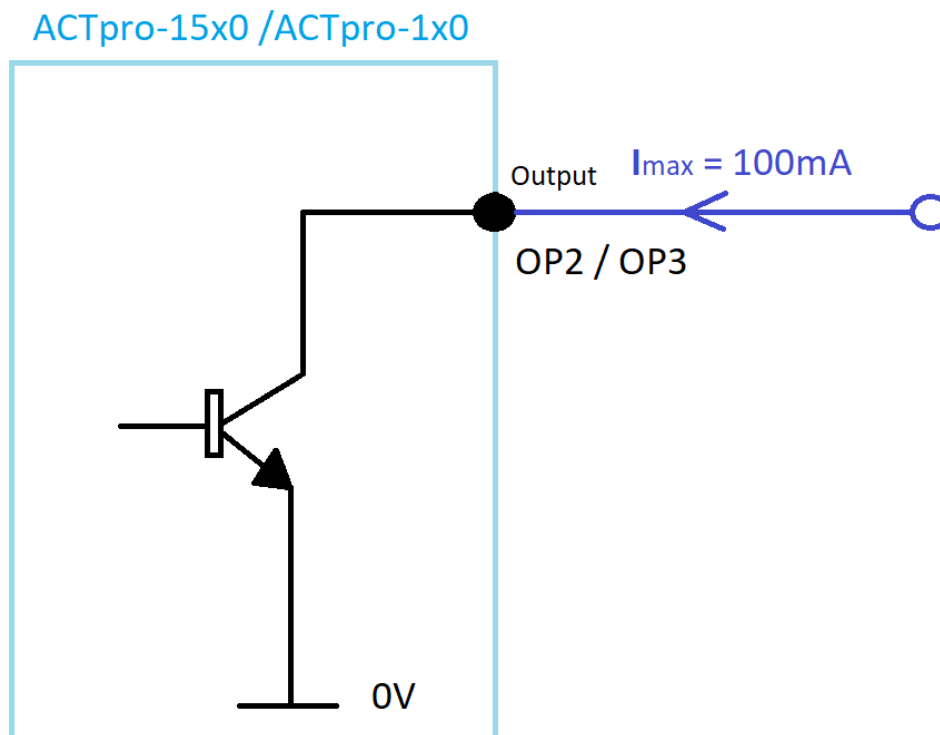
OP2 and OP3 are programmable outputs on all ACT door controllers. There are various settings that can be configured in order to activate/deactivate these outputs (for more information see ACTEnterprise_UserGuide).

Note: Some features, for example, OP2 or OP3 on door-forced or deadbolt problem, are not supported unless the door station is running a compatible firmware version.

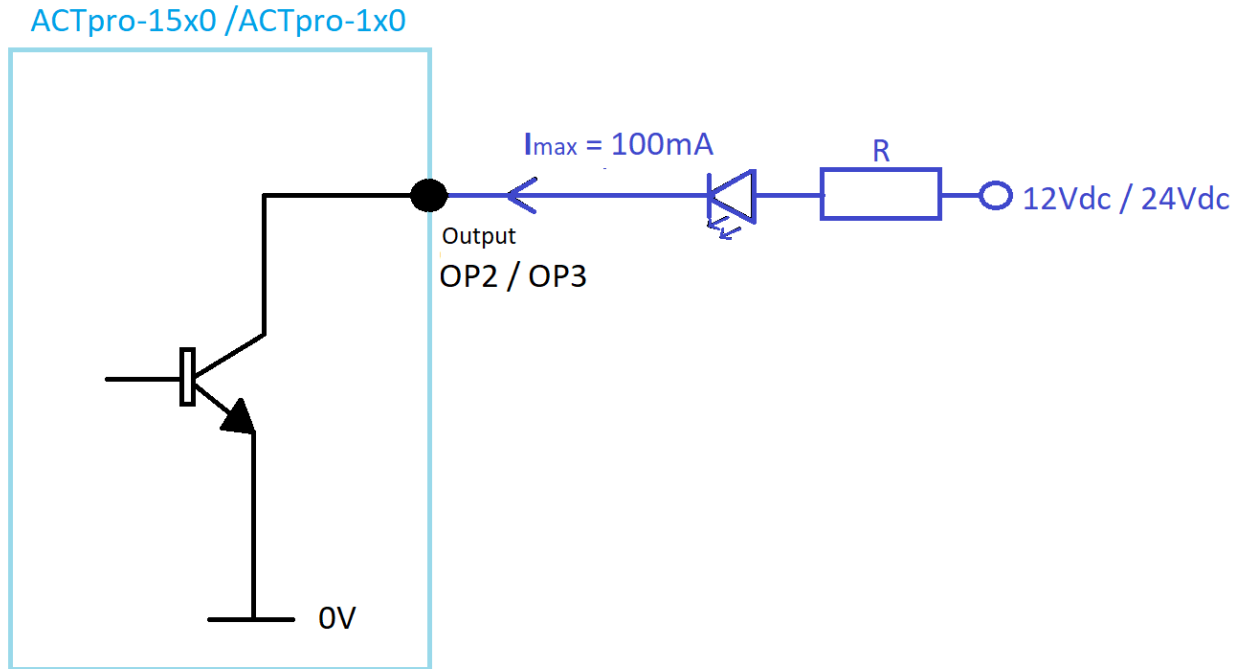
2. Wiring of OP2 / OP3

OP2 and OP3 are transistorised outputs capable of sinking 100mA. They can be used in conjunction with third party relays.

OP2 and OP3 can change the state between Ground and High Z.



Example:



3. System Snapshot report

It's possible to view the live status of the OP2 and OP3 outputs via reports in ACT Install application → System Snapshot report



No	Item	Details	
1	Maina entrance	12.5V	1, ACT1520E-24690[1]
2	Server room	12.4V	2, ACT1520E-24690[1]
1	I/O module 1 - 3	3	ACT1520E-24690[1]
1	ACT1520E-24690	ACT 1520e, 1.10.16 TCP ACT1520E-24690:10001	

SUPPORT INFORMATION

For detailed information about the various configuration options for OP2 and OP3, please see the ACTEnterprise UserGuide document. This is located within the ACT Enterprise installation package.

SUPPORT INFORMATION



If you have any questions, please contact our Technical Competence Centre.
Contact details can be found on our website.

VANDERBILT

vanderbiltindustries.com

[@VanderbiltInd](https://www.instagram.com/VanderbiltInd) [Vanderbilt Industries](https://www.facebook.com/VanderbiltIndustries)



Vanderbilt International GmbH

Borsigstrasse 34
65205 Wiesbaden
Germany