

The ComNet™ PS-MORD Series of industrial grade power supplies includes a complete range of high quality, low noise switching mode power supplies ideally suited for use with ComNet devices that require 12, 24, or 48 to 55 VDC for primary operating power.



Purpose Built Professional Security

The ComNet PS-MORD Series of industrial grade power supplies includes a complete range of high quality, low noise switching mode power supplies ideally suited for use with ComNet devices that require 12, 24, or 48 to 55 VDC for primary operating power. A summary fault relay is built into the 48 V DC models. These rugged units are mountable to standard 35 mm DIN rail – DIN 3 or TS-35 DIN rail of either profile – standard top hat, 7.5 mm depth (TS-35 x 7.5) or the high hat, 15 mm depth (TS-35 x 15).

Each power supply is designed with output short circuit protection, over current protection, and overvoltage protection. The wide ambient operating temperature range permits installation in most out of plant and unconditioned environments, such as those found in intelligent transportation systems or factory automation/industrial control applications. Unconditional line and load protection is provided.

Key Features

- Universal AC input: 85 to 264 VAC, 47-63Hz
- Small package size for limited space installations
- Mounts on standard 35 mm (DIN 3 or TS-35) DIN rail – TS-35 x 7.5 or TS-35 x 15
- Wide operating temperature range: -30 °C to +70° C
- Natural convection cooling – no troublesome fans
- 3 Year Warranty

Applications

- Remote operating power for IP cameras, VoIP telephones, and wireless access points
- IP-addressable factory automation/process control devices, transportation/ITS systems, access control systems, intercom systems, VOIP, and camera surveillance networks

PS-MORD

Industrial Grade Power Supplies

Specifications

Power

Input voltage range	90 to 264 VAC
Input current, maximum (115 / 230 VAC)	PS-MORD1260: 1.2 A / 0.8 A PS-MORD1290: 3.0 A / 1.6 A PS-MORD2460: 1.2 A / 0.8 A PS-MORD24100: 3.0 A / 1.6 A PS-MORD4860: 1.2 A / 0.8 A PS-MORD48120: 1.5 A / 1.5 A PS-MORD48240: 3.0 A / 3.0 A PS-MORD48480: 5.0 A / 2.5 A
Inrush current, typical (115 / 230 VAC)	PS-MORD1260: 30 A / 60 A PS-MORD1290: 35 A / 70 A PS-MORD2460: 30 A / 60 A PS-MORD24100: 35 A / 70 A PS-MORD4860: 30 A / 60 A PS-MORD48120: 15 A / 30 A PS-MORD48240: 15 A / 30 A PS-MORD48480: 20 A / 40 A
Output Voltage	PS-MORD1260: 12 VDC, 60 W PS-MORD1290: 12 VDC, 90 W PS-MORD2460: 24 VDC, 60 W PS-MORD24100: 24 VDC, 100 W PS-MORD4860: 48 to 55 VDC, 60 W PS-MORD48120: 48 to 55 VDC, 120 W PS-MORD48240: 48 to 55 VDC, 240 W PS-MORD48480: 48 to 55 VDC, 480 W
Summary Fault Relay (48 VDC models only)	Form A (normally open relay) closed when DC 48 to 56 V is being produced

General

Control and protection	output short circuit protection overcurrent protection overvoltage protection
------------------------	---

Mechanical

Power input	screw terminal, AWG 18 to 14
Power output	screw terminal, AWG 18 to 14
Summary Fault Relay	screw terminal, AWG 24 to 16 (48 VDC models only)
Weight	PS-MORD1260: 0.4 lb (175 g) PS-MORD1290: 0.6 lb (235 g) PS-MORD2460: 0.4 lb (175 g) PS-MORD24100: 0.6 lb (235 g) PS-MORD4860: 0.4 lb (175 g) PS-MORD48120: 1.1 lb (490 g) PS-MORD48240: 1.5 lb (650 g) PS-MORD48480: 2.2 lb (980 g)

Environmental

Operating Temp	-30 °C to +70 °C
Storage Temp	-40 °C to +80 °C
Relative Humidity - Operating	20 % to 95 %, non-condensing
Relative Humidity - Storage	10% to 95 %, non-condensing
Cooling	Convection cooled - user should provide sufficient space around the device for a passive convective cooling air path
MTBF	> 100,000 hr

Approvals & EMC Compliance

UL / cUL	UL 508 Listed UL 60950-I, UL 1310 Class 2 Power recognized ISA 12.12.01 (Class I, Div 2, Groups A, B, C, & D)
TUV CE	EN 60950-I, CB scheme EN 61000-6-3, EN 55022 Class B, EN 61000-3-2, EN 61000-3-3, EN 61000-6-2, EN 55024, EN 61000-4-2 Level 4, EN 61000-4-3 Level 3, EN 61000-4-4 Level 4, EN 61000-4-5 L-N Level 3, EN 61000-4-6 Level 3, EN 61000-4-8 Level 4, EN 61000-4-11, ENV 50204 Level 2, EN 61204-3
Vibration	Meets IEC 60068-2-6
Rail Mount	10 - 500 Hz, 2G, 60 min for each Axis
Shock	Meets IEC 60068-2-27 15G, 11ms, 3 Axis, 6 Faces, 3 times for each Face

Ordering Information

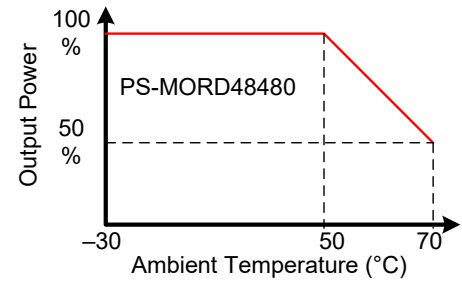
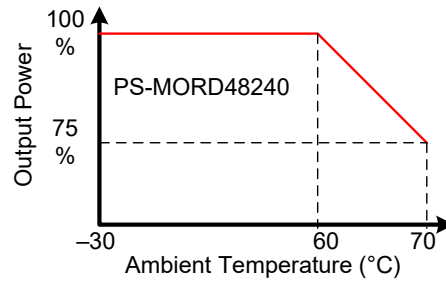
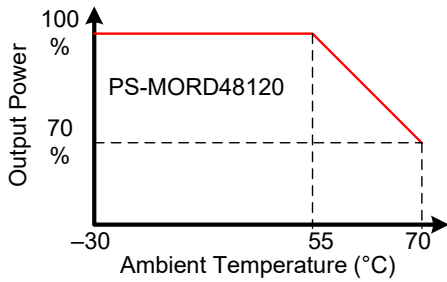
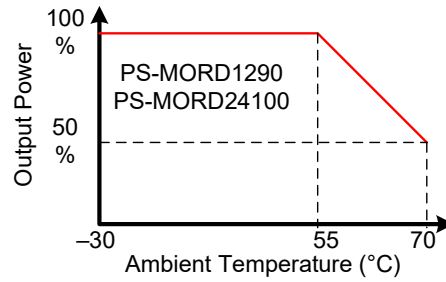
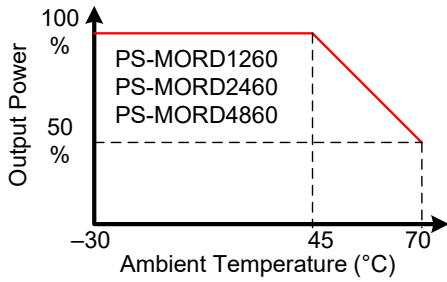
Part Number	Description
PS-MORD1260	output 12 VDC, 60 W
PS-MORD1290	output 12 VDC, 90 W
PS-MORD2460	output 24 VDC, 60 W
PS-MORD24100	output 24 VDC, 100 W
PS-MORD4860	output 48 VDC to 55 VDC, 60 W
PS-MORD48120	output 48 VDC to 55 VDC, 120 W
PS-MORD48240	output 48 VDC to 55 VDC, 240 W
PS-MORD48480	output 48 VDC to 55 VDC, 480 W

In a continuing effort to improve and advance technology, product specifications are subject to change without notice.

PS-MORD

Industrial Grade Power Supplies

Temperature Derating Curves



Product Dimensions

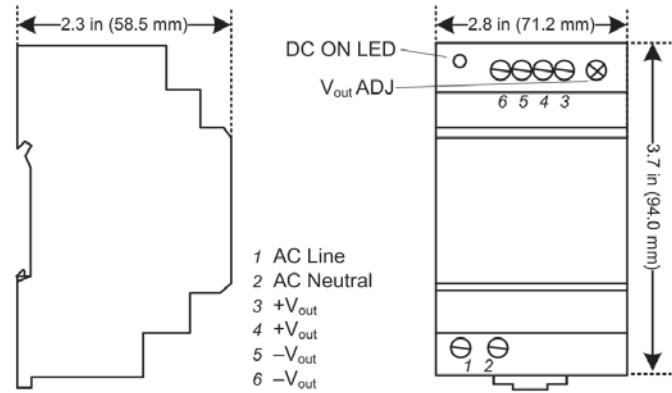
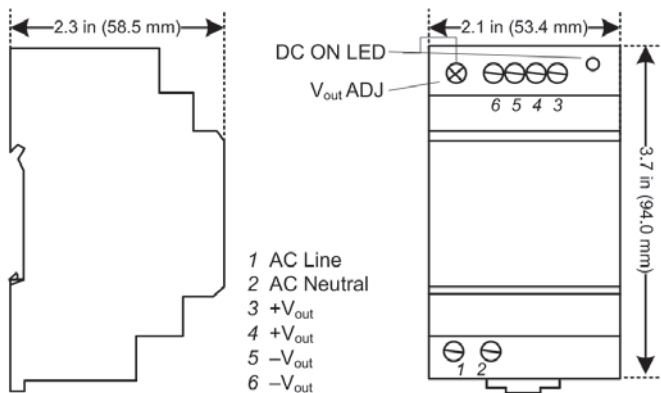
PS-MORD1260

PS-MORD2460

PS-MORD4860

PS-MORD1290

PS-MORD24100

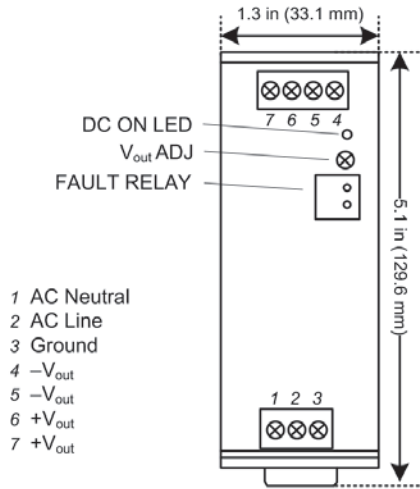
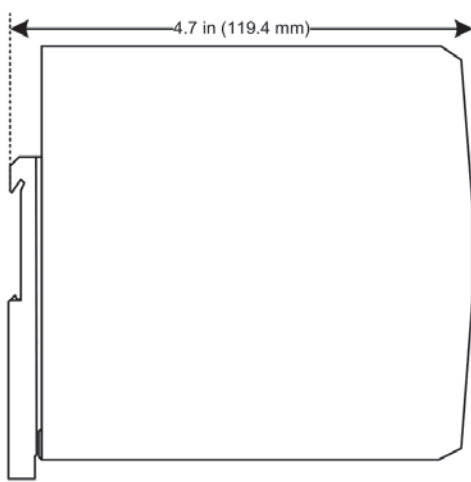


PS-MORD

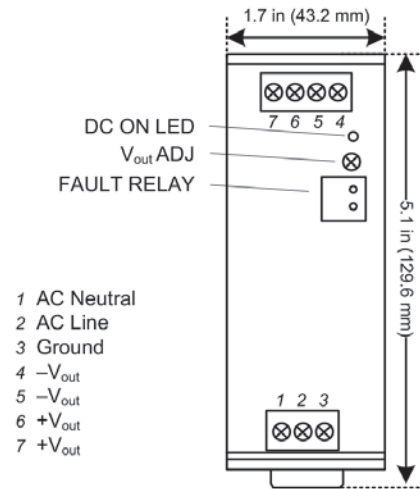
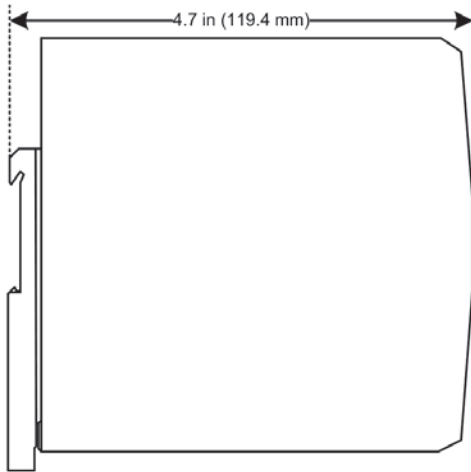
Industrial Grade Power Supplies

Product Dimensions (cont'd)

PS-MORD48120



PS-MORD48240



PS-MORD48480

