

VANDERBILT



27.6V dc Switch Mode Power Supply

PSU241038

FEATURES

High efficiency cost effective power supply ideal for use in Fire, Access Control and General Security applications. Featuring a regulated 27.6V dc output supplying continuous full rated current to load plus additional current for charging 2 x 12V standby batteries. Maximum battery life is assured using deep discharge protection to prevent premature battery failure when operating in standby mode for extended periods. Two sets of volt-free contacts are provided to signal (i) loss of mains (ii) battery and loss of output faults. The universal mains input voltage enables the power supply to be used across a wide geographical area. The highly efficient switch mode design ensures low operating costs, generates less heat and with a small physical size increases the room available for additional PCBs or cables. The modular construction simplifies maintenance.

- Up to 10A current to load at 27.6V dc nominal regulated output.
- Charging capability to support 18, 38 or 65Ah batteries with intelligent load enhancement.
- Electronic overload protection shuts down output until overload or short circuit is removed.
- Battery Monitor detects battery missing, low battery, short-circuit or reverse connection
- Battery charging circuit is energised only when a battery is correctly connected and the battery Voltage is greater than 14V.
- No loss of output during automatic connection of battery to load on loss of mains.
- Deep discharge protection disconnects battery from load when battery voltage falls to 21V.
- Fault indicator LED (Yellow) flashes on detection of output fault, battery fault, charger fault and mains failure.
- Mains indicator LED (Green) showing mains present.

SPECIFICATION

Mains Input

Rated Voltage	110 – 240V ac
Frequency	50 Hz / 60Hz
Input current	< 4.0 Amps at full load
Inrush current	30 A Max at 25 °C 110V ac for 10 ms
Fuse	T4.0 A, 20 mm, 250V ac HRC

Output

Voltage at full load Mains power Battery standby	26.0 – 28.5 Vdc (range) (27.6 V nominal) 18 – 26.0 Vdc		
Ripple	<100 mV pk – pk max @ Rated Voltage		
Fuse Load Battery Mains Voltage	F10.0 A (F10A L250V) F10.0 A (F10A L250V) T4A H250		
Overload	Electronic shutdown at 15 A until overload or short circuit removed		
Battery mode selected	18 Ah	38 Ah	65 Ah
Continuous Output Current No charging (Imax B) With charging (Imax A) – 220V With charging (Imax A) – 110V	10.0 A 10.0 A 8.5 A	10.0 A 8.0 A 7.5 A	10.0 A 7.2 A 6.5 A
Battery Charging	Constant current bulk charging to 80% capacity within 24 hours Float charging to 100% within 48 hours Eco charging and check every 2 hours – (for 20 minutes)		
Constant current charge	0.7 A	1.6 A	2.6 A
Low battery threshold voltage	23 V		
Deep discharge protection	Threshold voltage – 21 V		
Quiescent current – no load	30 mA		
Quiescent current – batt cut off	0 mA		

Mechanical

Product Reference	PSU241038/G2410BM-H
Enclosure Dimensions w x h x d (mm) including lid	425 x 425 x 180
Weight (kg) excluding battery	9.63 - Gross 9.2 - Nett
Material	1.2mm steel white powder coated

Environmental

Temperature – Operating	-10 to +40°C (operating) 75% RH non-condensing
Temperature - Storage	-20 to +80°C (storage)

CONNECTIONS

Load Output ++ / --	Screw terminals Voltage output to load
GEN PSU Fault (normally closed contact)	0.10 A @ 60 V dc 16Ω solid state relay contacts, volt free Open if Mains failed and battery voltage < 23V or fault PSU fault condition, (see below)
EPS Fault (normally closed contact)	0.10 A @ 60 V dc 16Ω solid state relay contacts, volt free Open if loss of mains for > 10 seconds
Temperature sensor	Thermistor input from supplied battery terminal thermistor.
BATT + / -	Connection to back up battery using supplied battery lead
FAN + / -	Not used

SIGNALLING AND DIAGNOSTICS

Fault Outputs

EPS Fault	GEN Fault	Condition	Possible Cause	Action
CLOSED	CLOSED	Normal operation	Mains present Battery healthy	None
OPEN	CLOSED	Standby Mode	Mains lost Battery driving load	Investigate loss of mains
CLOSED	OPEN	Fault Present	Blown fuses Battery fault Overload Internal fault	Investigate fault source using diagnostic LED Rectify fault where possible
OPEN	OPEN	PSU Shutdown	Mains lost Standby battery exhausted	Restore mains as soon as possible

LED Indication

YELLOW LED	Fault LED
GREEN LED	Mains supply On
DIAGNOSTICS	Diagnostic LED (Not visible through front panel)

Fault Diagnostic table – Front panel - User

Yellow LED Fault	Green LED Mains	Condition	Possible Cause	Action
OFF	ON	Normal operation	Mains present Battery healthy	None
FLASH CONTINUOUS	ON or OFF	Fault	Blown fuses Battery fault Overload Internal fault	Contact service engineer
1 PULSE	OFF	Standby Mode	Mains lost Battery driving load	Investigate loss of mains

Fault Diagnostic table – Internal - Engineer

Orange LED Diagnostic	Green LED Mains	Condition	Possible Cause	Action
OFF	ON	Normal operation	Mains present Battery fully charged	None
	OFF	Standby Operation	Mains Lost. No faults present Battery driving load	Investigate loss of mains
FLASH CONTINUOUS	ON or OFF	No output	Output fuse blown Output overload Output short circuit	Check and replace output fuse Disconnect output load and test load
1 PULSE	ON	Battery Charging	No faults active Battery charging normally but < 90% of full charge	None
2 PULSES	ON	No Battery	Battery disconnected Battery fuse blown Battery heavily discharged	Check battery connections Check battery fuse Check battery condition Replace battery if aged
	OFF	Low Battery Volts	Standby Mode Battery almost discharged	Restore mains
3 PULSES	ON or OFF	Battery Fault	High impedance in battery connection Battery internal fault	Check battery connections for corrosion. Replace battery if aged
4 PULSES	ON or OFF	Charger Fault	Internal failure of battery charger	Return to manufacturer
5 PULSES	ON or OFF	Battery Temperature Probe Fault	Battery temperature monitor disconnected or damaged PSU running in Safe Mode	Check temperature sensor connections and condition of sensor. Replace if suspect
ON CONTINUOUS	ON or OFF	Internal Fault	Software fault detected PSU running in Safe Mode	Return to manufacturer

INSTALLATION

This unit is only suitable for installation as permanently connected equipment. The PSU is NOT SUITABLE for external installation.

This unit must be fed from a mains power source having a separate (approved) disconnect device and fitted with a fuse or other over-current protection device rated at 5 A maximum. Ensure that the disconnect device used has appropriate earth fault protection to the applicable standard.

The PSU should be installed according to all relevant safety regulations applicable to that application.

Where the PSU Fault and EPS Fault outputs are used, they should only be connected to circuits having voltages less than 60V dc.

Cable Sizing

- 1) Mains input cable must be to the applicable standard with a 5A or greater current capacity, i.e. 0.75 mm² nominal conductor area, having a minimum operating voltage of 300/500 Vac.
- 2) The low voltage output cable must be sized to carry the rated load current to the devices connected to the PSU.
- 3) Mains input and low voltage output cables should be routed to use different entry / exit holes in the case. Bushes should be used to protect cable sheaths from chafing. Ensure that these bushes are correctly sized (i.e. close fitting with respect to cable sizing). Note that the bushes should meet a minimum flammability specification of UL94 HB.
- 4) All cabling should be securely fastened in position using a cable tie through the saddles provided.

Mounting – H Box – 38 Ah

- 5) The H box is designed to handle and support two 38 Ah batteries and as such weighs a total of approximately 40 Kg when loaded. Ensure that wall fixings are appropriate and designed to support this weight.
- 6) Fix to wall or other structure in correct orientation i.e. with hinge on left hand side, using screws of sufficient size and length through the mounting holes.
- 7) Protect the battery terminals from any metal surfaces during installation as shorting of the terminals is extremely hazardous.
- 8) Knock-outs are provided in the case for mating with external trunking or conduit.
- 9) Ensure that all unused holes (on the rear of the case) are sealed to prevent the ingress of damp and dust.

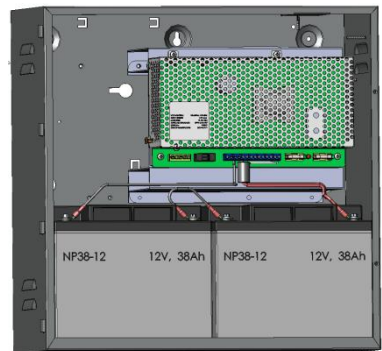
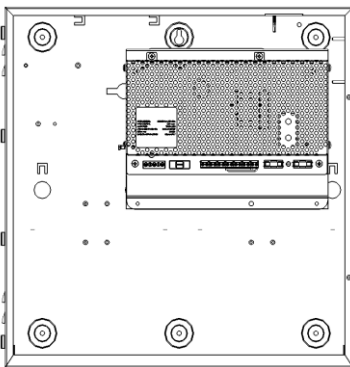


Figure 1 – H Box and Battery box mounting

COMMISSIONING

Mains Power Up

- 1) With no external connections made to the PSU, connect the mains input wires to the terminal block, **ensuring that the mains isolator (disconnect device) is open**. Fasten wiring in place with cable tie to saddle. **Note: Equipment must be earthed.**
- 2) Apply mains input. Ensure that the green Mains LED illuminates and that the yellow Fault LED flashes after approximately 20s (indicating a disconnected battery).
- 3) Disconnect the mains power.

Load Output and Remote Signalling

- 4) Connect the EPS and PSU Fault outputs to the appropriate inputs of control equipment if remote fault monitoring is required.

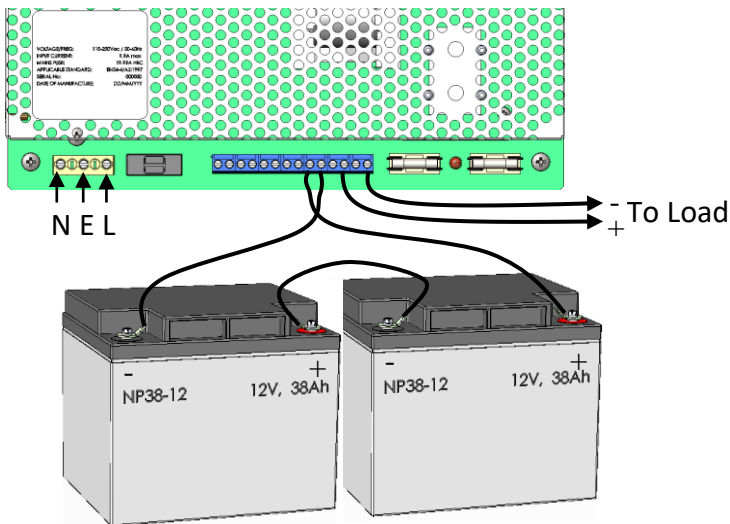


Figure 4 – Power, Load and Battery connections

- 5) Connect the load (output) wiring as shown in Figure 4. Cable tie to saddle provided (adjacent to exit hole).
- 6) Re-apply mains. Verify that the green Mains LED illuminates and the yellow Fault LED flashes after approximately 20 s (disconnected battery).
- 7) If connected, verify that the EPS Fault monitor shows a *closed* contact and the PSU Fault monitor shows an *open* contact.
- 8) Perform a full functional test of system including full alarm condition.
- 9) Disconnect the mains supply.

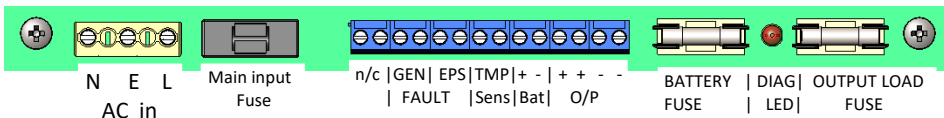


Figure 5 – Terminal labels

Standby Battery

- 10) Select the Battery type by placing the link (above the Battery fuse) in the appropriate location to select (17/18 Ah, 38 Ah [Factory set] or 65 Ah) batteries. This changes the maximum bulk charge current, and therefore enables higher load current to be used when smaller batteries are required. Put the link on the left hand two pins for 17 Ah, the middle pins for 38 Ah and the right hand two pins for 65 Ah batteries.

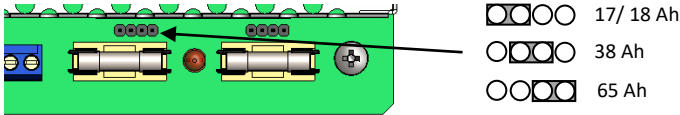


Figure 6 – Standby battery size selection links

- 11) Mount the appropriate batteries as shown above. Where a dual box solution is used all cabling between the two boxes should be routed to use separate case entry/exit holes from other cabling and use suitable bushes to protect the cables.
- 12) Connect the two 12 V standby batteries in series using the single cable provided. Connect the *negative* of one battery to the *positive* of the other. **DO NOT CONNECT** the other two battery terminals to each other.
- 13) Connect the free Positive and Negative terminals of the batteries to the PCB terminals Batt+ and Batt - using the cables provided. See Figures 4 & 5.
- 14) Connect the battery temperature sensor (two white wires) to the PCB terminals TMP Sens. See Figure 5.
- 15) If the batteries are housed remotely, replace the battery lead assembly (including battery temperature sensor) with an extended length assembly, provided with the Battery box (Ensure the temperature sensor and battery connections are made according to figure 5).
- 16) Re-apply the mains power and verify that the yellow Fault LED stops flashing after about 20 s (battery connection detected). Verify that the remote GEN PSU Fault monitor shows a *closed* contact.
- 17) Disconnect the mains power. Verify that the green Mains LED extinguishes and the yellow Fault LED starts to pulse (indicating that the PSU is running from its standby batteries).
- 18) If connected, verify that the EPS Fault monitor shows an *open* contact and the PSU Fault monitor shows a *closed* contact.
- 19) Perform a full functional test of system including full alarm condition. Verify that the standby batteries can support the system load. Note: ensure batteries have sufficient charge.

Final

- 20) Reconnect the mains. Verify that the green Mains LED illuminates and the yellow Fault LED extinguishes.
- 21) If connected, verify that the EPS Fault monitor shows a *closed* contact and the GEN PSU Fault monitor shows a *closed* contact.
- 22) Close cover and secure using fastening screws provided.

Tamper Connection

- 1) Once the enclosure has been fixed to the wall, insert the 3mm x 10mm stud from the “L” shaped taper bracket to the tamper switch. Offer the M4 x 33mm screw to the 5mm diameter hole to the left-hand side of the top right hand mounting hole.
- 2) Once the M4 screw is located in the 5mm hole, continue to tighten the screw until the screw is secured against the rear wall.
- 3) Ensure the tamper micro-switch is secured and test to verify correct operation of the tamper contact for the opening of the lid and removal from the wall.

OPERATING INSTRUCTIONS

In the event of loss of mains, a battery fault or a GEN fault, the corresponding Fault signal contacts will open.

If the output of the PSU fails, the cause of the failure should be investigated e.g. short circuit load, connection of a deeply discharged battery. The fault should be rectified before restoring power to the PSU. If any of the fuses require replacing, ensure the correct fuse rating and type is used.

MAINTENANCE

Maintenance

This unit is intended for use by Service Personnel only. There are NO USER SERVICEABLE parts inside.

There is no regular maintenance required of the PSU other than periodic testing, and replacement of the standby battery. **Reference should be made to the battery manufacturer's documentation to determine typical/expected battery life with a view to periodic replacement of the battery.**

DIAGNOSTICS

Local Diagnostics

Green LED

On = Mains Present

Yellow LED

Fault Diagnostics according to table:

Yellow LED (fault)	Green LED (mains)	Status
OFF	ON	Normal: Battery fully charged
One short flash every second	ON	Normal: Battery charging but not fully charged
Flashing: 1second On 1 second Off	ON	Fault: Output fuse or battery fuse blown, or battery missing
	OFF	Fault: No mains, output fuse blown
One short flash every 3 seconds	OFF	Fault: No mains, battery supplying load.
OFF	OFF	Fault: No mains, No output, Batteries disconnected or completely discharged

COMPLIANCE

This power supply unit meets the essential requirements of the following EU Directives:

EMC:	2004/108/EC
Low Voltage:	2006/95/EC
WEEE:	2002/96/EC
RoHS:	2011/65/EU

DISPOSAL OF PRODUCT AT END OF LIFE

This product falls within the scope of EU Directives 2002/96/EC Waste Electrical and Electronic Equipment (WEEE) and 2006/66/EC (Battery). At the end of life, the product must be separated from the domestic waste stream and disposed via an appropriate approved WEEE disposal route in accordance with all national and local regulations.

Before disposal of the product, any batteries must be removed, and disposed separately via an appropriate approved battery disposal route in accordance with all national and local regulations. Package used batteries safely for onward transport to your supplier, collection point or disposal facility.

***Caution: Risk of fire or explosion
if bare battery wires are allowed to touch.***

See Specification for battery type information. The battery is marked with the crossed out wheelie bin symbol, which may include lettering to indicate cadmium (Cd), lead (Pb), or mercury (Hg).

For more information see: www.recyclethis.info

*The packaging supplied with this product may be recycled.
Please dispose of packaging accordingly.*