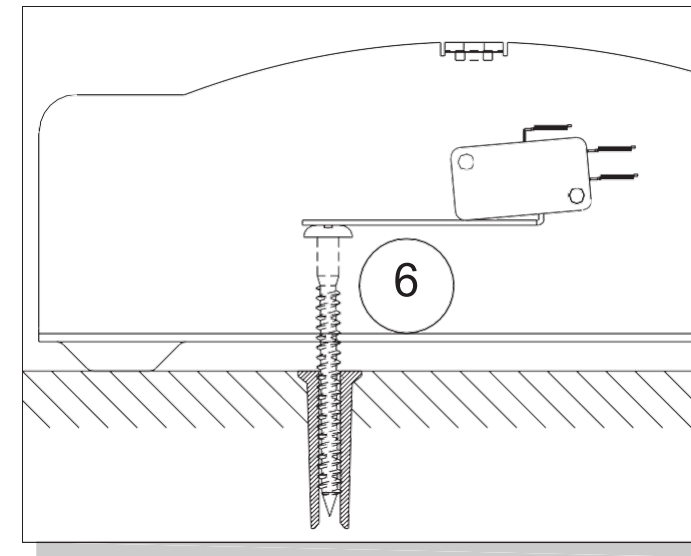
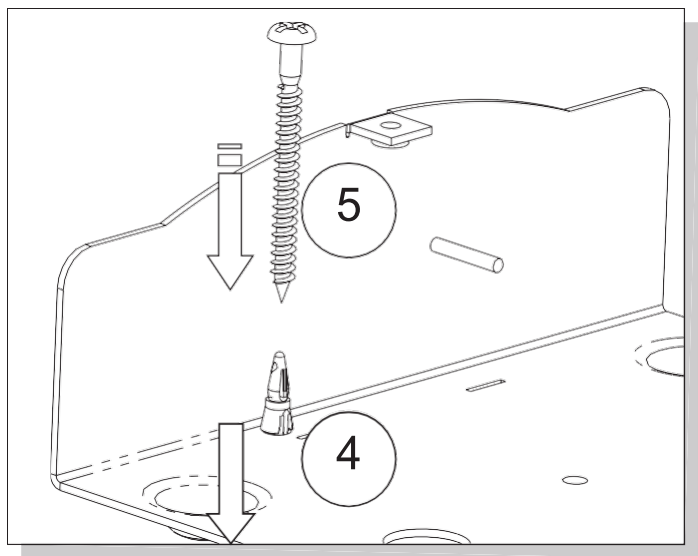


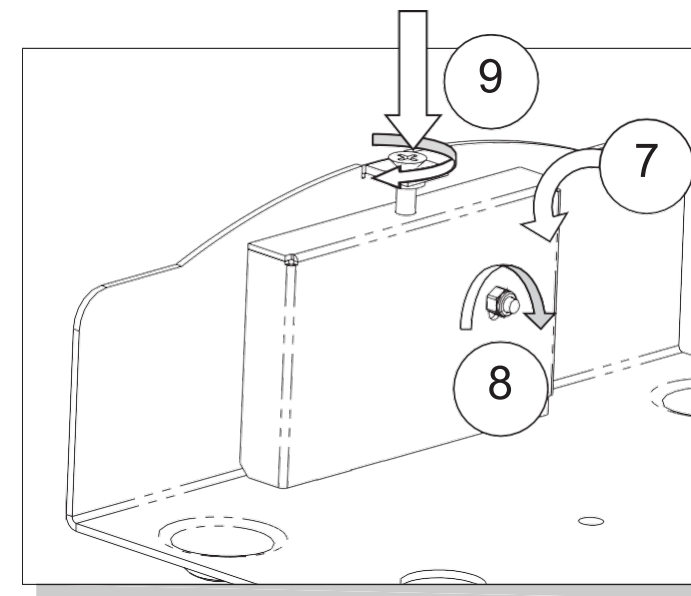
- 1 - Remove the fastening screw
- 2 - Remove the nut
- 3 - Remove the tamper cover



- 6 - Position the screw so that the blade of the free-standing contact is parallel to the base of the SI500



- 4 - Remove the rear of the plastic insert
- 5 - Drill the remainder of the insert to accept a screw



- 7 - Reposition the tamper lid
- 8 - Replace and tighten the locking nut
- 9 - Replace the hood and tighten the fastening screw
- 10 - Check that the tamper contact closes when the hood's closing screw is in place, otherwise adjust the wall screw

